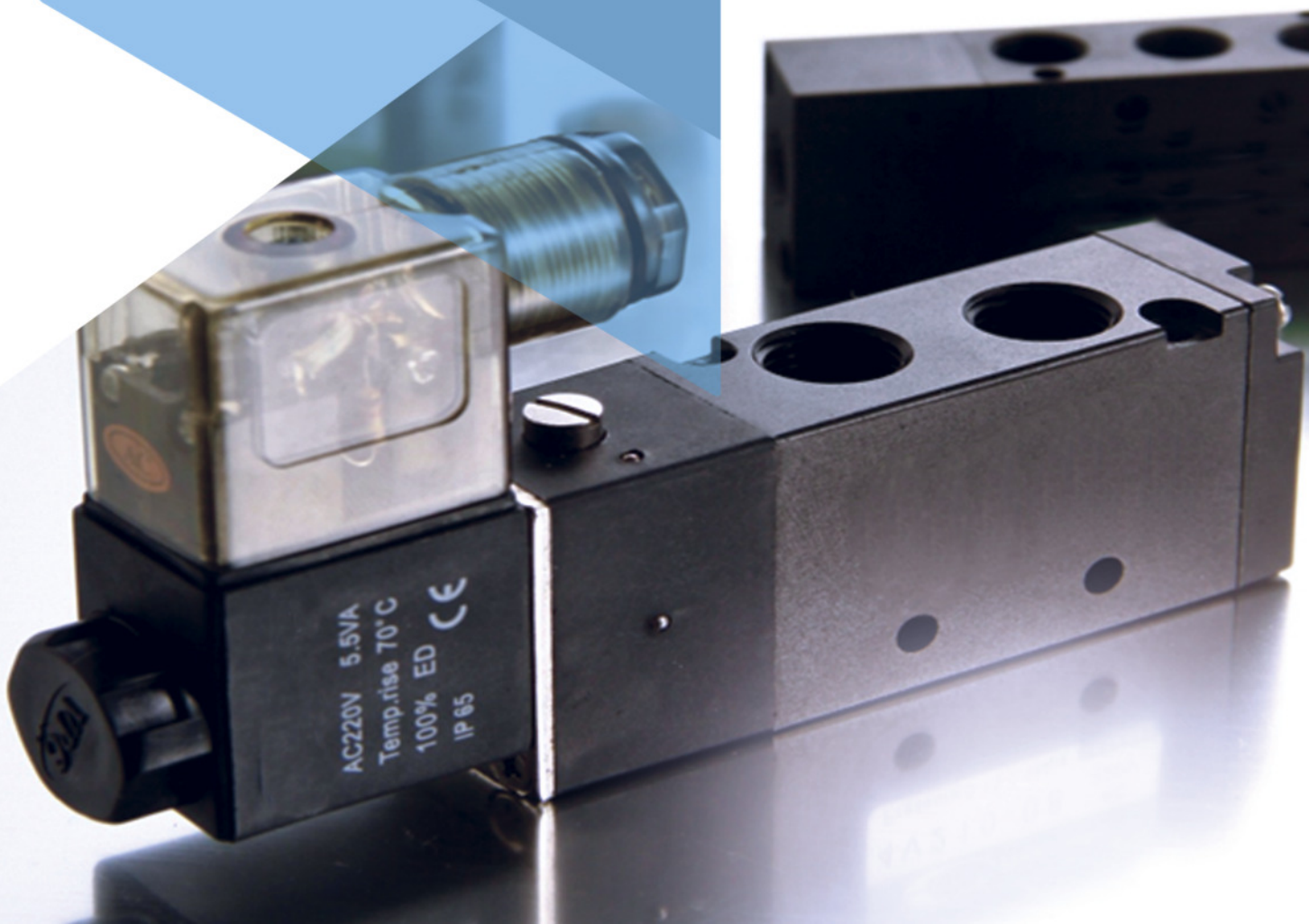


1

SOLENOID DIRECTIONAL VALVES



Technical Data 1

| Orifice | O. D. Of Tube | Metric Thread | | Inch Threads | | | Taper Pipe Thread | Note |
|---------|---------------|---------------|-------------|--------------|------------------|-----------------|-------------------|------|
| | | Thread | Thread hole | Thread | Outside Diameter | Inside Diameter | | |
| mm | mm | mm | | mm | | | mm | |
| 3 | 4 | M6X1 | | | | | | |
| 4 | 6 | M8X1 | ∅ 6.7 | | | | | |
| 5 6 | 8 | M10X1 | ∅ 8.5 | G1/8 | ∅ 9.7 | ∅ 8.6 | ZG1/8 | 01 |
| 8 | 10 | M12X1.25 | ∅ 10.2 | G1/4 | ∅ 13.2 | ∅ 11.5 | ZG1/4 | 02 |
| 10 | 12 | M16X1.5 | ∅ 14 | G3/8 | ∅ 16.7 | ∅ 15.1 | ZG3/8 | 03 |
| 15 | | | | G1/2 | ∅ 21 | ∅ 18.7 | | 04 |
| 20 | | | | G3/4 | ∅ 26.4 | ∅ 24.2 | | |
| 25 | | | | G1 | ∅ 33.3 | ∅ 30.3 | | |
| 32 | | | | G1-1/4 | ∅ 41.9 | ∅ 39.1 | | |
| 40 | | | | G1-1/2 | ∅ 47.8 | ∅ 44.9 | | |
| 50 | | | | G2 | ∅ 59.7 | ∅ 56.7 | | |
| 65 | | | | G2-1/2 | | | | |
| 80 | | | | G3 | ∅ 87.9 | ∅ 85 | | |
| 90 | | | | G3-1/2 | | | | |
| 100 | | | | G4 | ∅ 113.1 | ∅ 110.1 | | |

The level of the Ingress Protection


| Description | I (①) | | | II (②) | | |
|---|------------------------|---------|-----------------------------|-------------------|---------|---------------------------|
| | Class | Numeral | Description | Class | Numeral | Description |
| IP ① ② ①: Impurities Infiltrated ②: Water Infiltrated | Impurities Infiltrated | 0 | Not Protected | Water Infiltrated | 1 | Dripping Water: Vertical |
| | | 1 | > 50mm diameter object | | 2 | Dripping Water: ≤15° tilt |
| | | 2 | > 12mm diameter object | | 3 | Dripping Water: ≤60° tilt |
| | | 3 | > 2.5mm diameter object | | 4 | Spraying Water |
| | | 4 | > 1mm diameter object | | 5 | Powerful Jetting Water |
| | | 5 | Dust- deposited protected | | 6 | Infiltrating Water |
| | | 6 | Dust- infiltrated protected | | 7 | Immersion |

Technical Data 1

The Standard of the Explosion-proof Grade

| Description | Explosion Mark | Anti-explosion Mark | | Anti-explosion Grade | Temperature Class | |
|---|---|-------------------------|---|----------------------|-------------------|----|
| | | | | | | |
| Ex d II B T3 ① ② ③ ④ ⑤ ① Explosion Mark ② Anti-explosion Mark ③ Explosion Category ④ Anti-explosion Grade ⑤ Temperature Class | Electrical Equipments in the underground mine | Isolated-explosion | d | A | 450°C | T1 |
| | Protect | Enhanced-security type | e | B | 300°C | T2 |
| | Factory electrical equipment | Essential safety | i | C | 200°C | T3 |
| | Protect | Special protective type | s | | 135°C | T4 |

2V1 Series Solenoid Valve

2V1 - **06** -  **AC 220V**

| | | | |
|-----------------------|------------------------|---------------------------------|---|
| Type Code | Joint Size | Coil Type | Standard Voltage |
| 2V1: 2Port, 2Position | 06: G1/8" 08: G1/4" | Blank: Din type I: Fly leads | DC12V DC24V AC24V 50/60HZ AC110V 50/60HZ AC220V 50/60HZ AC380V 50/60HZ |

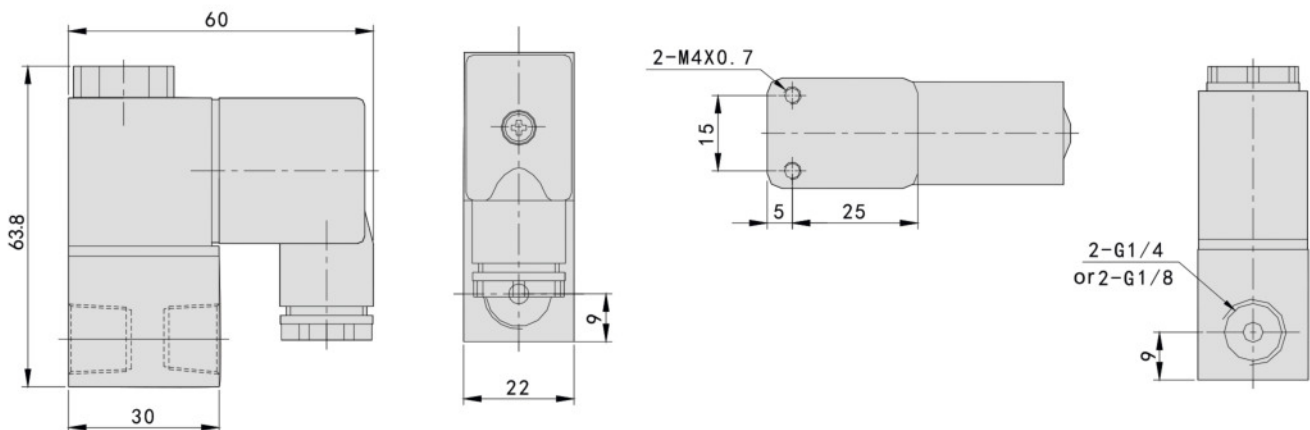


2V1 Series Solenoid Valve

Specifications

| Model | 2V1-06 | 2V1-08 |
|---------------------|---|--------|
| Working Medium | Clean air (40µm Filtration), Water, Oil | |
| Acting Type | Direct Acting Type | |
| Joint Size | 1/8 " | 1/4 " |
| Orifice | 2mm | |
| Working Pressure | 0~1.0Mpa | |
| Max.Pressure | 1.5Mpa | |
| Working Temperature | - 10~80°C | |
| Power | AC220V:5.5VA DC24V:4.8W | |
| Insulation Grade | F | |
| Protective Class | IP65 | |
| Excitation Time | <0.05s | |
| Seal Material | NBR | |

Main Dimensions



Technical Data 1

Product features:

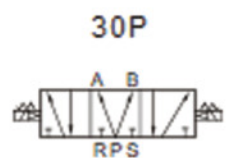
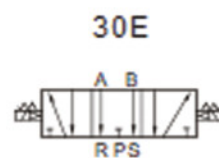
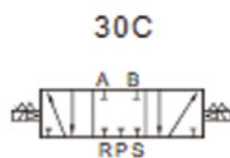
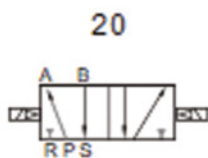
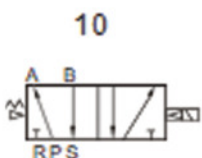
- * Stable life cycle, guaranteed 10, 000, 0000 times
- * Various voltage and working style are available;
- * Different surface treatment, thread types (G, NP, PT, BSPP, BSPT) are available.



Ordering Code

4V Series Solenoid Valve

| | | | | | |
|---|---|--|--|---|--|
| <p>4V</p> <p>↓</p> <p>Type Code</p> <p>4V: 5 Port, 2 Position</p> | <p>2</p> <p>↓</p> <p>Series Code</p> <p>1: 100 Series 2: 200 Series 3: 300 Series 4: 400 Series</p> | <p>10</p> <p>↓</p> <p>Coil</p> <p>10: Single control 20: Double control 30C: Double control 3Position Center Close 30E: Double control 3Position Center Exhaust 30P: Double control 3 Position Center Pressure</p> | <p>08</p> <p>↓</p> <p>Joint Size</p> <p>M5: M5 06: G1/8" 08: G1/4" 10: G3/8" 15: G1/2"</p> | <p>-</p> <p>↓</p> <p>Coil Type</p> <p>Blank: Din type I: Fly leads</p> | <p>AC 220 V</p> <p>↓</p> <p>Standard Voltage</p> <p>DC12V DC24V AC24V 50/60HZ AC110V 50/60HZ AC220V 50/60HZ AC380V 50/60HZ</p> |
|---|---|--|--|---|--|



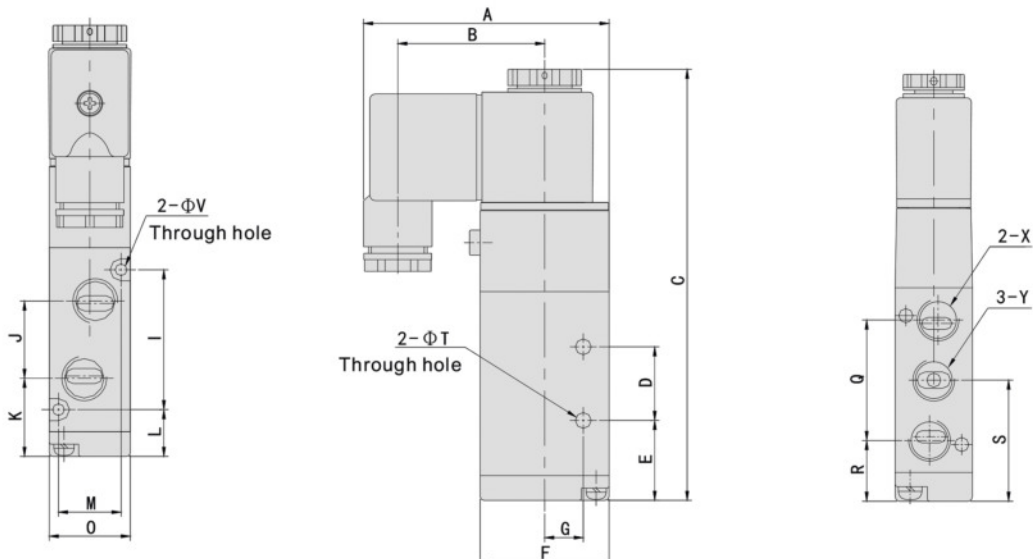
4V Series Solenoid Valve

Specifications

4V Series Solenoid Valve (2 Position 5 Port Single Control)

| Model | 4V110-M5 | 4V110-06 | 4V110-06 | 4V210-08 | 4V310-08 | 4V310-10 | 4V410-15 |
|-----------------------------|--------------------------------------|---|---|---|---|---|---|
| Clean air (40µm Filtration) | | | | | | | |
| Acting Type | Internal Guide | | | | | | |
| Joint Size | Import=M5 Export=M5 Exhaust=M5 | Import=1/8 Export=1/8 Exhaust=1/8 | Import=1/8 Export=1/8 Exhaust=1/8 | Import=1/4 Export=1/4 Exhaust=1/8 | Import=1/4 Export=1/4 Exhaust=1/4 | Import=3/8 Export=3/8 Exhaust=1/4 | Import=1/2 Export=1/2 Exhaust=1/2 |
| Sectional Area | 5.5 mm ² (CV=0.31) | 12 mm ² (CV=0.67) | 14 mm ² (CV=0.78) | 16 mm ² (CV=0.89) | 25 mm ² (CV=1.39) | 30 mm ² (CV=1.67) | 50 mm ² (CV=2.79) |
| Working Pressure | 0.15~0.9 Mpa | | | | | | |
| Max.Pressure | 1.2 Mpa | | | | | | |
| Working Temperature | - 5~60°C | | | | | | |
| Voltage Range | - 15%~10% | | | | | | |
| Heat Resistant Grade | B | | | | | | |
| Protective Class | IP65 (DIN40050) | | | | | | |
| Coil Type | Din type, Flying leads | | | | | | |
| Max. Acting Frequency | 5 Times / S | | | | 4 Times / S | | 3 Times / S |

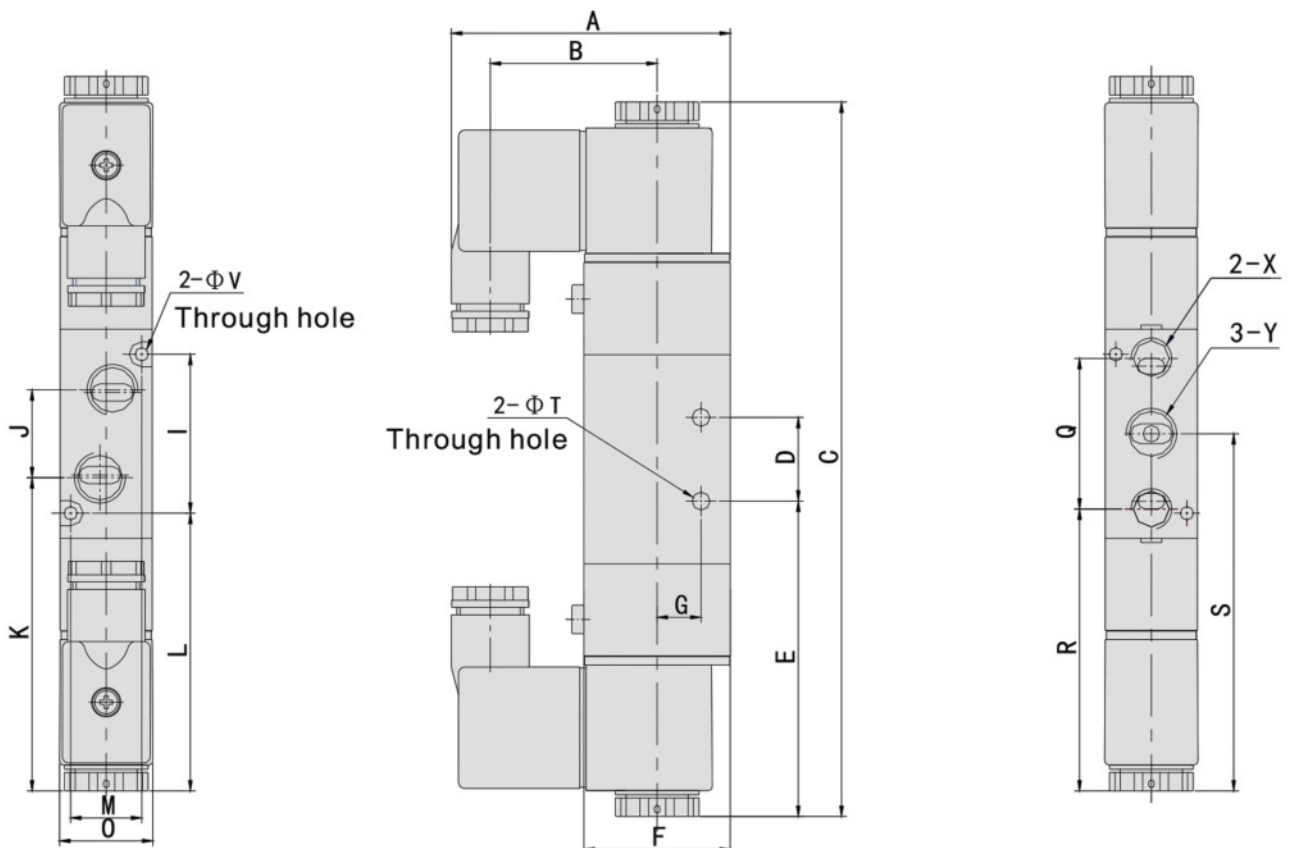
Main Dimensions



4V Series Solenoid Valve

| Sign Model | A | B | C | D | E | F | G | K | I | J | L | M | O | S | Q | R | ∅V | ∅T | X | Y |
|---------------|------|----|-------|----|------|----|------|------|----|----|------|----|----|------|----|------|-----|-----|------|------|
| 4V110-M5 | 55 | 34 | 99.4 | 14 | 21.2 | 27 | 9.5 | 21.2 | 30 | 14 | 13.2 | 13 | 18 | 28.2 | 27 | 14.7 | 3.3 | 3.3 | M5 | M5 |
| 4V110-06 | 55 | 34 | 99.4 | 14 | 21.2 | 27 | 9.5 | 20.2 | 30 | 16 | 13.2 | 13 | 18 | 28.2 | 28 | 14.2 | 3.3 | 3.3 | 1/8" | 1/8" |
| 4V210-06 | 66.7 | 40 | 117 | 20 | 21.7 | 35 | 10.5 | 22.7 | 38 | 18 | 12.7 | 17 | 22 | 31.7 | 36 | 13.7 | 3.2 | 4.3 | 1/8" | 1/8" |
| 4V210-08 | 66.7 | 40 | 117 | 20 | 21.7 | 35 | 10.5 | 21.2 | 38 | 21 | 12.7 | 17 | 22 | 31.7 | 36 | 13.7 | 3.2 | 4.3 | 1/8" | 1/4" |
| 4V310-08 | 69.2 | 40 | 135 | 24 | 28 | 40 | 13.5 | 29 | 50 | 22 | 15 | 20 | 27 | 40 | 45 | 17.5 | 4.3 | 4.3 | 1/4" | 1/4" |
| 4V310-10 | 69.2 | 40 | 135 | 24 | 28 | 40 | 13.5 | 28 | 50 | 24 | 15 | 20 | 27 | 40 | 45 | 17.5 | 4.3 | 4.3 | 1/4" | 3/8" |
| 4V410-15 | 74.2 | 40 | 168.4 | 28 | 43 | 50 | 17.5 | 39 | 72 | 36 | 21 | 27 | 34 | 57 | 63 | 25.5 | 4.3 | 5.5 | 1/2" | 1/2" |

Main Dimensions



4V Series Solenoid Valve

Specifications

4V Series Solenoid Valve (2 Position 5 Port Double Control)

| Model | 4V120-M5 | 4V120-06 | 4V220-06 | 4V220-08 | 4V320-08 | 4V320-10 | 4V420-15 |
|-----------------------------|--------------------------------------|---|---|---|---|---|---|
| Clean air (40µm Filtration) | | | | | | | |
| Acting Type | Internal Guide | | | | | | |
| Joint Size | Import=M5 Export=M5 Exhaust=M5 | Import=1/8 Export=1/8 Exhaust=1/8 | Import=1/8 Export=1/8 Exhaust=1/8 | Import=1/4 Export=1/4 Exhaust=1/8 | Import=1/4 Export=1/4 Exhaust=1/4 | Import=3/8 Export=3/8 Exhaust=1/4 | Import=1/2 Export=1/2 Exhaust=1/2 |
| Sectional Area | 5.5 mm ² (CV=0.31) | 12 mm ² (CV=0.67) | 14 mm ² (CV=0.78) | 16 mm ² (CV=0.89) | 25 mm ² (CV=1.39) | 30 mm ² (CV=1.67) | 50 mm ² (CV=2.79) |
| Working Pressure | 0.15~0.9 Mpa | | | | | | |
| Max.Pressure | 1.2 Mpa | | | | | | |
| Working Temperature | - 5~60°C | | | | | | |
| Voltage Range | - 15%~10% | | | | | | |
| Heat Resistant Grade | B | | | | | | |
| Protective Class | IP65 (DIN40050) | | | | | | |
| Coil Type | Din type, Flying leads | | | | | | |
| Max. Acting Frequency | 5 Times / S | | | | 4 Times / S | | 3 Times / S |

| Model \ Sign | | | | | | | | | | | | | | | | | | | | |
|--------------|------|----|-------|----|------|----|------|------|----|----|------|----|----|-------|----|------|-----|-----|------|------|
| | A | B | C | D | E | F | G | K | I | J | L | M | O | S | Q | R | ∅V | ∅T | X | Y |
| 4V120-M5 | 55 | 34 | 142.4 | 14 | 64.2 | 27 | 9.5 | 64.3 | 30 | 14 | 56.2 | 13 | 18 | 71.2 | 27 | 57.2 | 3.3 | 3.3 | M5 | M5 |
| 4V120-06 | 55 | 34 | 142.4 | 14 | 64.2 | 27 | 9.5 | 63.2 | 30 | 16 | 56.2 | 13 | 18 | 71.2 | 28 | 57.2 | 3.3 | 3.3 | 1/8" | 1/8" |
| 4V220-06 | 66.7 | 40 | 171 | 20 | 75.4 | 35 | 10.5 | 76.4 | 38 | 18 | 66.4 | 17 | 22 | 85.4 | 36 | 67.4 | 3.2 | 4.3 | 1/8" | 1/8" |
| 4V220-08 | 66.7 | 40 | 171 | 20 | 75.4 | 35 | 10.5 | 74.9 | 38 | 21 | 66.4 | 17 | 22 | 85.4 | 36 | 67.4 | 3.2 | 4.3 | 1/8" | 1/4" |
| 4V320-08 | 69.2 | 40 | 190 | 24 | 82.9 | 40 | 13.5 | 83.9 | 50 | 22 | 69.9 | 20 | 27 | 94.9 | 45 | 72.4 | 4.3 | 4.3 | 1/4" | 1/4" |
| 4V320-10 | 69.2 | 40 | 190 | 24 | 82.9 | 40 | 13.5 | 82.9 | 50 | 24 | 69.9 | 20 | 27 | 94.9 | 45 | 72.4 | 4.3 | 4.3 | 1/4" | 3/8" |
| 4V420-15 | 74.2 | 40 | 222.8 | 28 | 97.4 | 50 | 17.5 | 93.4 | 72 | 36 | 75.4 | 27 | 34 | 111.4 | 63 | 80 | 4.3 | 5.5 | 1/2" | 1/2" |

4V Series Solenoid Valve

Specifications

4V Series Solenoid Valve (3 Position 5 Port Center Close)

| Model | 4V130C-M5 | 4V130C-06 | 4V230C-06 | 4V230C-08 | 4V330C-08 | 4V330C-10 | 4V430C-15 |
|-----------------------------|--------------------------------------|---|---|---|---|---|---|
| Clean air (40µm Filtration) | | | | | | | |
| Acting Type | Internal Guide | | | | | | |
| Joint Size | Import=M5 Export=M5 Exhaust=M5 | Import=1/8 Export=1/8 Exhaust=1/8 | Import=1/8 Export=1/8 Exhaust=1/8 | Import=1/4 Export=1/4 Exhaust=1/8 | Import=1/4 Export=1/4 Exhaust=1/4 | Import=3/8 Export=3/8 Exhaust=1/4 | Import=1/2 Export=1/2 Exhaust=1/2 |
| Sectional Area | 5mm ² (CV=0.28) | 9mm ² (CV=0.50) | 12mm ² (CV=0.67) | 12mm ² (CV=0.67) | 18mm ² (CV=1.0) | 18mm ² (CV=1.0) | 30mm ² (CV=1.67) |
| Working Pressure | 0.15~0.9 Mpa | | | | | | |
| Max.Pressure | 1.2 Mpa | | | | | | |
| Working Temperature | - 5~60°C | | | | | | |
| Voltage Range | - 15%~10% | | | | | | |
| Heat Resistant Grade | B | | | | | | |
| Protective Class | IP65 (DIN40050) | | | | | | |
| Coil Type | Din type, Flying leads | | | | | | |
| Max. Acting Frequency | 3 Times / S | | | | | | |

4V Series Solenoid Valve(3 Position 5 Port Center Exhaust

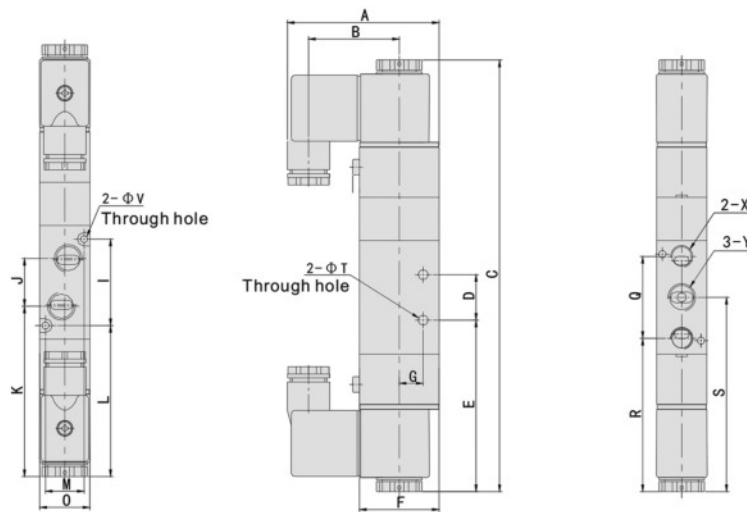
| Model | 4V130E-M5 | 4V130E-06 | 4V230E-06 | 4V230E-08 | 4V330E-08 | 4V330E-10 | 4V430E-15 |
|-----------------------------|--------------------------------------|---|---|---|---|---|---|
| Clean air (40µm Filtration) | | | | | | | |
| Acting Type | Internal Guide | | | | | | |
| Joint Size | Import=M5 Export=M5 Exhaust=M5 | Import=1/8 Export=1/8 Exhaust=1/8 | Import=1/8 Export=1/8 Exhaust=1/8 | Import=1/4 Export=1/4 Exhaust=1/8 | Import=1/4 Export=1/4 Exhaust=1/4 | Import=3/8 Export=3/8 Exhaust=1/4 | Import=1/2 Export=1/2 Exhaust=1/2 |
| Sectional Area | 5mm ² (CV=0.28) | 9mm ² (CV=0.50) | 12mm ² (CV=0.67) | 12mm ² (CV=0.67) | 18mm ² (CV=1.0) | 18mm ² (CV=1.0) | 30mm ² (CV=1.67) |
| Working Pressure | 0.15~0.9 Mpa | | | | | | |
| Max.Pressure | 1.2 Mpa | | | | | | |
| Working Temperature | - 5~60°C | | | | | | |
| Voltage Range | - 15%~10% | | | | | | |
| Heat Resistant Grade | B | | | | | | |
| Protective Class | IP65 (DIN40050) | | | | | | |
| Coil Type | Din type, Flying leads | | | | | | |
| Max. Acting Frequency | 3 Times / S | | | | | | |

4V Series Solenoid Valve

Specifications

4V Series Solenoid Valve (Position 5 Port Center Pressure)

| Model | 4V130P-M5 | 4V130P-06 | 4V230P-06 | 4V230P-08 | 4V330P-08 | 4V330P-10 | 4V430P-15 |
|-----------------------------|--------------------------------------|---|---|---|---|---|---|
| Clean air (40µm Filtration) | | | | | | | |
| Acting Type | Internal Guide | | | | | | |
| Joint Size | Import=M5 Export=M5 Exhaust=M5 | Import=1/8 Export=1/8 Exhaust=1/8 | Import=1/8 Export=1/8 Exhaust=1/8 | Import=1/4 Export=1/4 Exhaust=1/8 | Import=1/4 Export=1/4 Exhaust=1/4 | Import=3/8 Export=3/8 Exhaust=1/4 | Import=1/2 Export=1/2 Exhaust=1/2 |
| Sectional Area | 5mm ² (CV=0.28) | 9mm ² (CV=0.50) | 12mm ² (CV=0.67) | 12mm ² (CV=0.67) | 18mm ² (CV=1.0) | 18mm ² (CV=1.0) | 30mm ² (CV=1.67) |
| Working Pressure | 0.15~0.9 Mpa | | | | | | |
| Max.Pressure | 1.2 Mpa | | | | | | |
| Working Temperature | - 5~60°C | | | | | | |
| Voltage Range | - 15%~10% | | | | | | |
| Heat Resistant Grade | B | | | | | | |
| Protective Class | IP65 (DIN40050) | | | | | | |
| Coil Type | Din type, Flying leads | | | | | | |
| Max. Acting Frequency | 3 Times / S | | | | | | |



| Model \ Sign | A | B | C | D | E | F | G | K | I | J | L | M | O | S | Q | R | ∅V | ∅T | X | Y |
|--------------|------|----|-------|----|------|----|------|------|----|----|------|----|----|-------|----|------|-----|-----|------|------|
| 4V130-M5 | 55 | 34 | 157.4 | 14 | 64.2 | 27 | 9.5 | 64.3 | 30 | 14 | 56.2 | 13 | 18 | 71.2 | 27 | 57.7 | 3.3 | 3.3 | M5 | M5 |
| 4V130-06 | 55 | 34 | 157.4 | 14 | 64.2 | 27 | 9.5 | 63.2 | 30 | 16 | 56.2 | 13 | 18 | 71.2 | 28 | 57.2 | 3.3 | 3.3 | 1/8" | 1/8" |
| 4V230-06 | 66.7 | 40 | 190 | 20 | 75.4 | 35 | 10.5 | 76.4 | 38 | 18 | 66.4 | 17 | 22 | 85.4 | 36 | 67.4 | 3.2 | 4.3 | 1/8" | 1/8" |
| 4V230-08 | 66.7 | 40 | 190 | 20 | 75.4 | 35 | 10.5 | 74.9 | 38 | 21 | 66.4 | 17 | 22 | 85.4 | 36 | 67.4 | 3.2 | 4.3 | 1/8" | 1/4" |
| 4V330-08 | 69.2 | 40 | 209 | 24 | 82.9 | 40 | 13.5 | 83.9 | 50 | 22 | 69.9 | 20 | 27 | 94.9 | 45 | 72.4 | 4.3 | 4.3 | 1/4" | 1/4" |
| 4V330-10 | 69.2 | 40 | 209 | 24 | 82.9 | 40 | 13.5 | 82.9 | 50 | 24 | 69.9 | 20 | 27 | 94.9 | 45 | 72.4 | 4.3 | 4.3 | 1/4" | 3/8" |
| 4V430-15 | 74.2 | 40 | 243.8 | 28 | 97.4 | 50 | 17.5 | 93.4 | 72 | 36 | 75.4 | 27 | 34 | 111.4 | 63 | 79.9 | 4.3 | 5.5 | 1/2" | 1/2" |

V Series Manifold

Ordering Code

V Series Manifold



Ordering Code

Blind plate



Specifications

| Model | 100 Series | 200 Series | 300 Series | 400 Series |
|---------------------|------------------------------|------------------------------|------------------------------|------------------------------|
| Working Medium | Clean air (40μm Filtration) | | | |
| Working Pressure | 0.15~0.9Mpa | | | |
| Max. Pressure | 1.5Mpa | | | |
| Working Temperature | - 20~70°C | | | |
| Application Scope | 4V100 Series 4A100 Series | 4V200 Series 4A200 Series | 4V300 Series 4A300 Series | 4V400 Series 4A400 Series |

Corresponding Application

| | | | | |
|----------------|--|--|--|--|
| Valve Model | 4V110/4V120/ 4V130 4A110/4A120/ 4A130 | 4V210/4V220/ 4V230 4A210/4A220/ 4A230 | 4V310/4V320/ 4V330 4A310/4A320/ 4A230 | 4V410/4V220/ 4V430 4A410/4A420/ 4A430 |
| Manifold Model | 100M-NF(N≤16) | 200M-NF(N≤16) | 300M-NF(N≤12) | 400M-NF(N≤7) |

3A Series Air Control Valve

Product features:

- * Stable life cycle guaranteed 10,000,0000 times
- * Various voltage and working style are available;
- * Different surface treatment, thread types (G, NPT, PT, BSPP, BSPT) are available.



Ordering Code

3A Series Air Control Valve (2 Position 3 Port)

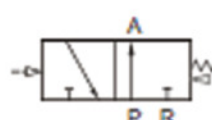
| | | | | |
|--|--|--|---|--|
| <p>3A</p> <p>— </p> <p>Type Code</p> <p>3A: 3Port, 2Position</p> | <p>2</p> <p>— </p> <p>Series Code</p> <p>1:100 Series 2:200 Series 3:300 Series 4:400 Series</p> | <p>10</p> <p>— </p> <p>Ways</p> <p>10:Single control 20:Double control</p> | <p>08</p> <p>— </p> <p>Joint Size</p> <p>M5:M5 06:G1/8" 08:G1/4" 10:G3/8" 15:G1/2</p> | <p>NO</p> <p>— </p> <p>Control Type</p> <p>Blank: Normal Close NO: Normal Open</p> |
|--|--|--|---|--|



10-NC



10-NO



20



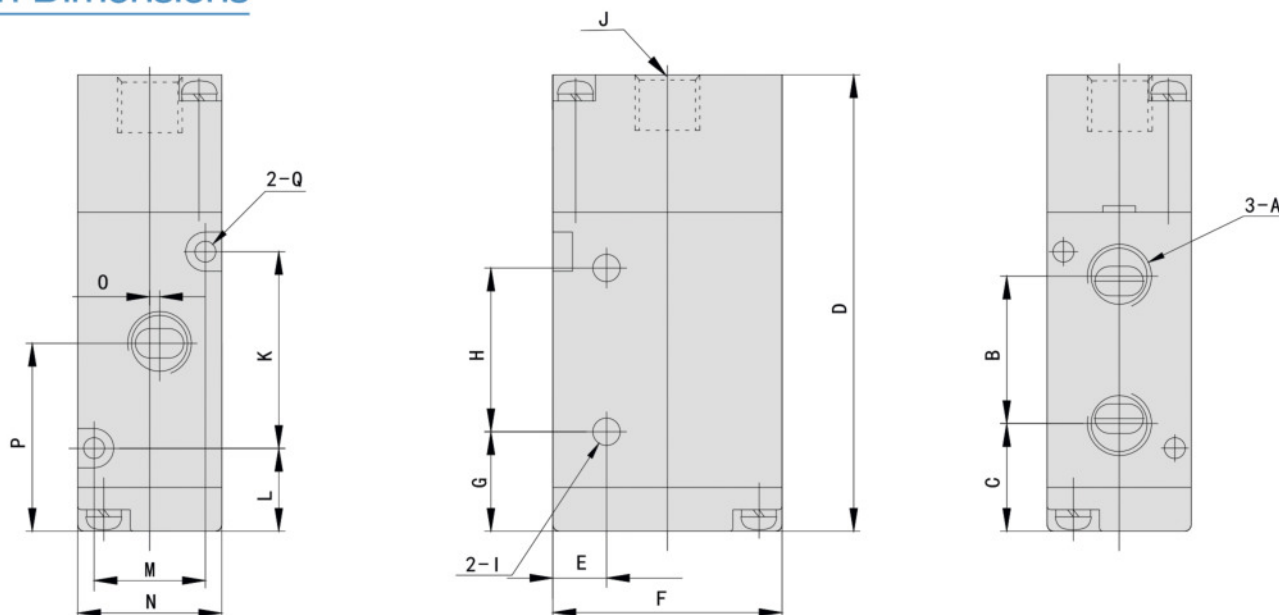
3A Series Air Control Valve

Specifications

3A Series Air Control Valve (2 Position 3 Port Single Control)

| Model | 3A110-M5 | 3A110-06 | 3A210-06 | 3A210-08 | 3A310-08 | 3A310-10 | 3A410-10 | 3A410-15 |
|-----------------------------|---------------------------------|--------------------------------|--------------------------------|--------------------------------|-------------------------------|--------------------------------|--------------------------------|--------------------------------|
| Clean air (40µm Filtration) | | | | | | | | |
| Acting Type | Internal Guide | | | | | | | |
| Joint Size | Import=M5 Export=M5 | Import=1/8 Export=1/8 | Import=1/8 Export=1/8 | Import=1/4 Export=1/4 | Import=1/4 Export=1/4 | Import=3/8 Export=3/8 | Import=3/8 Export=3/8 | Import=1/2 Export=1/2 |
| Sectional Area | 5.5mm ² (CV=0.31) | 12mm ² (CV=0.67) | 14mm ² (CV=0.78) | 16mm ² (CV=0.89) | 25mm ² (CV=1.4) | 30mm ² (CV=1.68) | 30mm ² (CV=1.68) | 50mm ² (CV=2.79) |
| Working Pressure | 0.15~0.8Mpa | | | | | | | |
| Max.Pressure | 1.2 Mpa | | | | | | | |
| Working Temperature | - 5~60°C | | | | | | | |
| Ways | 2 Position 3 Port | | | | | | | |
| Body Material | Aluminum | | | | | | | |
| Lubrication | No | | | | | | | |
| Max. Acting Frequency | 5 Times / S | | | | 4 Times / S | | 3 Times / S | |

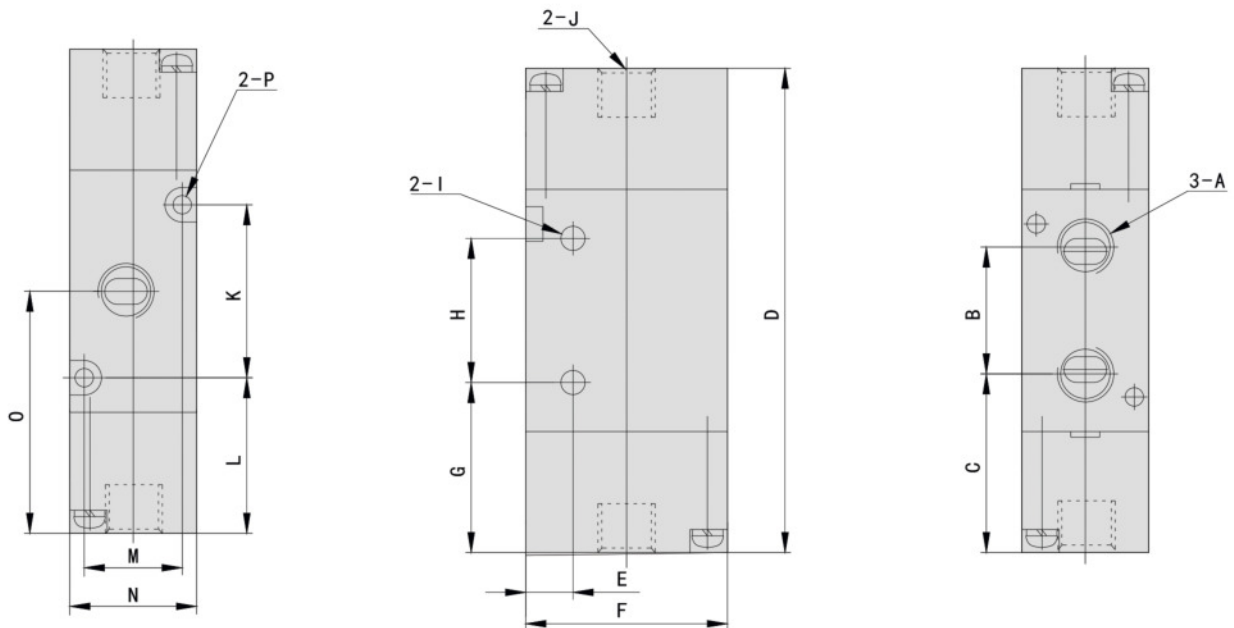
Main Dimensions



3A Series Air Control Valve

| Model \ Sign | A | B | C | D | E | F | G | H | I | J | K | L | M | N | O | P | Q |
|--------------|--------|------|------|-------|------|----|------|----|-----|-----|----|------|----|----|---|------|-----|
| 3A110-M5 | M5x0.8 | 16 | 14 | 56.5 | 7.7 | 27 | 11.5 | 21 | 3.3 | 1/8 | 19 | 12.5 | 13 | 18 | 1 | 23 | 3.3 |
| 3A110-06 | 1/8" | 16 | 14 | 56.5 | 7.7 | 27 | 11.5 | 21 | 3.3 | 1/8 | 19 | 12.5 | 13 | 18 | 1 | 23 | 3.3 |
| 3A210-06 | 1/8" | 22.5 | 16 | 70 | 8 | 35 | 15 | 25 | 4.3 | 1/8 | 30 | 12.5 | 17 | 22 | 0 | 27.5 | 3.2 |
| 3A210-08 | 1/4" | 22.5 | 16 | 70 | 8 | 35 | 15 | 25 | 4.3 | 1/8 | 30 | 12.5 | 17 | 22 | 0 | 27.5 | 3.2 |
| 3A310-08 | 1/4" | 24 | 20.5 | 80.5 | 10.5 | 40 | 17.5 | 30 | 4.3 | 1/8 | 35 | 15 | 20 | 27 | 0 | 32.5 | 4.3 |
| 3A310-10 | 3/8" | 24 | 20.5 | 80.5 | 10.5 | 40 | 17.5 | 30 | 4.3 | 1/8 | 35 | 15 | 20 | 27 | 0 | 32.5 | 4.3 |
| 3A410-10 | 3/8" | 36 | 19.5 | 100.5 | 13.5 | 50 | 20 | 48 | 4.3 | 1/8 | 48 | 13.5 | 27 | 34 | 2 | 42.5 | 4.3 |
| 3A410-15 | 1/2" | 36 | 19.5 | 100.5 | 13.5 | 50 | 20 | 48 | 4.3 | 1/8 | 48 | 13.5 | 27 | 34 | 2 | 42.5 | 4.3 |

Main Dimensions



3A Series Air Control Valve

| Model \ Sign | A | B | C | D | E | F | G | H | I | J | K | L | M | N | O | P |
|--------------|------------|------|-------|-----|------|----|------|----|-----|-----|----|------|----|----|------|-----|
| 3A120-M5 | M5x 0.8 | 16 | 26.5 | 69 | 7.7 | 27 | 24 | 21 | 3.3 | 1/8 | 19 | 25 | 13 | 18 | 34.5 | 3.3 |
| 3A120-06 | 1/8" | 16 | 26.5 | 69 | 7.7 | 27 | 24 | 21 | 3.3 | 1/8 | 19 | 25 | 13 | 18 | 34.5 | 3.3 |
| 3A220-06 | 1/8" | 22.5 | 30.75 | 84 | 8 | 35 | 29.5 | 25 | 4.3 | 1/8 | 30 | 27 | 17 | 22 | 42 | 3.2 |
| 3A220-08 | 1/4" | 22.5 | 30.75 | 84 | 8 | 35 | 29.5 | 25 | 4.3 | 1/8 | 30 | 27 | 17 | 22 | 42 | 3.2 |
| 3A320-08 | 1/4" | 24 | 36 | 96 | 10.5 | 40 | 33 | 30 | 4.3 | 1/8 | 35 | 30.5 | 20 | 27 | 48 | 4.3 |
| 3A320-10 | 3/8" | 24 | 36 | 96 | 10.5 | 40 | 33 | 30 | 4.3 | 1/8 | 35 | 30.5 | 20 | 27 | 48 | 4.3 |
| 3A420-10 | 3/8" | 36 | 40 | 116 | 13.5 | 50 | 33 | 48 | 4.3 | 1/8 | 48 | 34 | 27 | 34 | 58 | 4.3 |
| 3A420-15 | 1/2" | 36 | 40 | 116 | | 40 | 33 | 48 | 4.3 | 1/8 | 48 | 34 | 27 | 34 | 58 | 4.3 |

4A Series Air Control Valve

Product features:

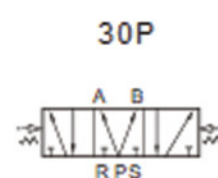
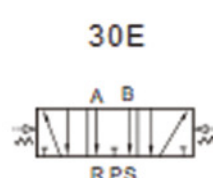
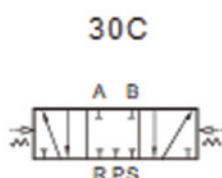
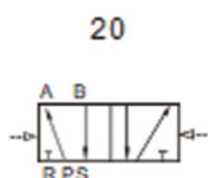
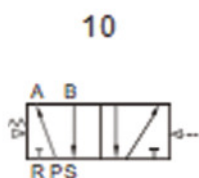
- * Stable life cycle guaranteed 10,000,0000 times
- * Various voltage and working style are available;
- * Different surface treatment, thread types (G, NPT, PT, BSPP, BSPT) are available.



Ordering Code

4A Series Air Control Valve

| | | | |
|--|---|--|---|
| <p>4A</p> <p>↓</p> <p>Type Code</p> <p>4A: 4 Port, 2Position</p> | <p>2</p> <p>↓</p> <p>Series Code</p> <p>1:100 Series 2:200 Series 3:300 Series 4:400 Series</p> | <p>10</p> <p>↓</p> <p>Ways</p> <p>10:Single control 20:Double control 30C:Double control 3Position Center Close 30E:Double control 3Position Center Exhaust 30P:Double control 3Position Center Pressure</p> | <p>08</p> <p>↓</p> <p>Joint Size</p> <p>M5:M5 06:G1/8" 08:G1/4" 10:G3/8" 15:G1/2"</p> |
|--|---|--|---|



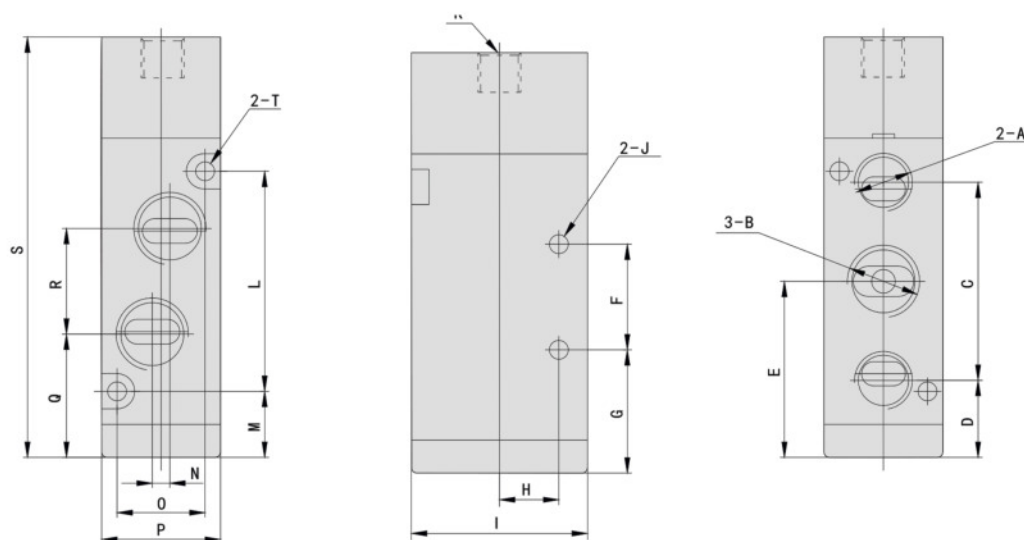
4A Series Air Control Valve

Specifications

4A Series Air Control Valve (2 Position 5 Port Single Control)

| Model | 4A110-M5 | 4A110-06 | 4A210-06 | 4A210-08 | 4A310-08 | 4A310-10 | 4A410-10 | 4A410-15 |
|-----------------------------|--------------------------------------|---|---|---|---|---|---|---|
| Clean air (40µm Filtration) | | | | | | | | |
| Acting Type | Internal Guide | | | | | | | |
| Joint Size | Import=M5 Export=M5 Exhaust=M5 | Import=1/8 Export=1/8 Exhaust=1/8 | Import=1/8 Export=1/8 Exhaust=1/8 | Import=1/4 Export=1/4 Exhaust=1/8 | Import=1/4 Export=1/4 Exhaust=1/4 | Import=3/8 Export=3/8 Exhaust=1/4 | Import=3/8 Export=3/8 Exhaust=3/8 | Import=1/2 Export=1/2 Exhaust=1/2 |
| Sectional Area | 5.5mm ² (CV=0.31) | 12mm ² (CV=0.67) | 14mm ² (CV=0.78) | 16mm ² (CV=0.89) | 25mm ² (CV=1.4) | 30mm ² (CV=1.68) | 30mm ² (CV=1.68) | 50mm ² (CV=2.79) |
| Working Pressure | 0.15~0.8Mpa | | | | | | | |
| Max.Pressure | 1.2 Mpa | | | | | | | |
| Working Temperature | - 5~60°C | | | | | | | |
| Ways | 2 Position 5 Port | | | | | | | |
| Body Material | Aluminum | | | | | | | |
| Lubrication | No | | | | | | | |
| Max. Acting Frequency | 5 Times / S | | | | 4 Times / S | | 3 Times / S | |

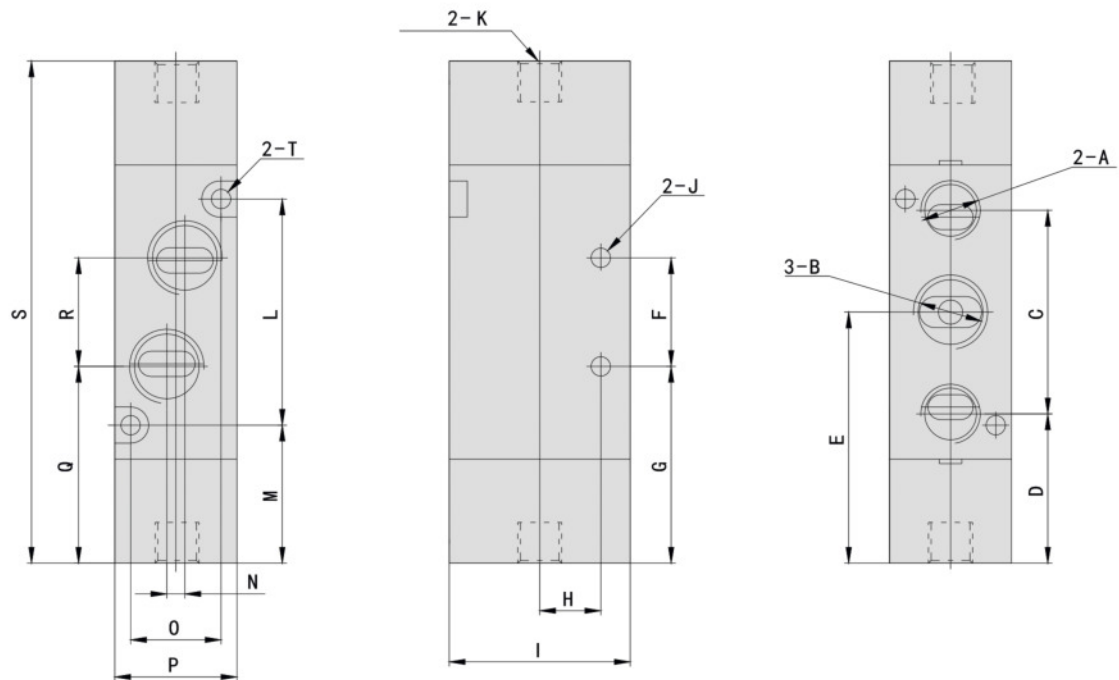
Main Dimensions



4A Series Air Control Valve

| Sign Model | A | B | C | D | E | F | G | H | I | J | K | L | M | N | O | P | Q | R | S | T |
|---------------|------------|------------|----|------|------|----|------|------|----|-----|------|----|------|---|----|----|------|----|------|-----|
| 4A110-M5 | M5x 0.8 | M5x 0.8 | 27 | 14.7 | 28.2 | 14 | 21.2 | 9.5 | 27 | 3.3 | 1/8" | 30 | 13.2 | 0 | 13 | 18 | 21.2 | 14 | 68.7 | 3.3 |
| 4A110-06 | 1/8" | 1/8" | 28 | 14.7 | 28.2 | 14 | 21.2 | 9.5 | 27 | 3.3 | 1/8" | 30 | 13.2 | 3 | 13 | 18 | 20.2 | 16 | 68.7 | 3.3 |
| 4A210-06 | 1/8" | 1/8" | 36 | 13.7 | 31.7 | 20 | 21.7 | 10.5 | 35 | 4.3 | 1/8" | 38 | 12.7 | 0 | 17 | 22 | 22.7 | 18 | 77.7 | 3.2 |
| 4A210-08 | 1/8" | 1/8" | 36 | 13.7 | 31.7 | 20 | 21.7 | 10.5 | 35 | 4.3 | 1/8" | 38 | 12.7 | 3 | 17 | 22 | 21.2 | 21 | 77.7 | 3.2 |
| 4A310-08 | 1/4" | 1/4" | 45 | 17.5 | 40 | 24 | 28 | 13.5 | 40 | 4.3 | 1/8" | 50 | 15 | 0 | 20 | 27 | 29 | 22 | 95.5 | 4.3 |
| 4A310-10 | 1/4" | 3/8" | 45 | 17.5 | 40 | 24 | 28 | 13.5 | 40 | 4.3 | 1/8" | 50 | 15 | 4 | 20 | 27 | 28 | 24 | 95.5 | 4.3 |
| 4A410-10 | 3/8" | 3/8" | 63 | 25.5 | 57 | 28 | 43 | 17.5 | 50 | 5.5 | 1/8" | 72 | 21 | 4 | 27 | 34 | 39 | 36 | 128 | 4.3 |
| 4A410-15 | 1/2" | 1/2" | 63 | 25.5 | 57 | 28 | 43 | 17.5 | 50 | 5.5 | 1/8" | 72 | 21 | 4 | 27 | 34 | 39 | 36 | 128 | 4.3 |

Main Dimensions



4A Series Air Control Valve

Specifications

4A Series Air Control Valve (2 Position 5 Port Double Control)

| Model | 4A120-M5 | 4A120-06 | 4A220-06 | 4A220-08 | 4A320-08 | 4A320-10 | 4A420-10 | 4A420-15 | |
|-----------------------------|--------------------------------------|---|---|---|---|---|---|---|--|
| Clean air (40µm Filtration) | | | | | | | | | |
| Acting Type | Internal Guide | | | | | | | | |
| Joint Size | Import=M5 Export=M5 Exhaust=M5 | Import=1/8 Export=1/8 Exhaust=1/8 | Import=1/8 Export=1/8 Exhaust=1/8 | Import=1/4 Export=1/4 Exhaust=1/8 | Import=1/4 Export=1/4 Exhaust=1/4 | Import=3/8 Export=3/8 Exhaust=1/4 | Import=3/8 Export=3/8 Exhaust=3/8 | Import=1/2 Export=1/2 Exhaust=1/2 | |
| Sectional Area | 5.5mm ² (CV=0.31) | 12mm ² (CV=0.67) | 14mm ² (CV=0.78) | 16mm ² (CV=0.89) | 25mm ² (CV=1.4) | 30mm ² (CV=1.68) | 30mm ² (CV=1.68) | 50mm ² (CV=2.79) | |
| Working Pressure | 0.15~0.8Mpa | | | | | | | | |
| Max.Pressure | 1.2 Mpa | | | | | | | | |
| Working Temperature | - 5~60°C | | | | | | | | |
| Ways | 2 Position 5 Port | | | | | | | | |
| Body Material | Aluminum | | | | | | | | |
| Lubrication | No | | | | | | | | |
| Max. Acting Frequency | 5 Times / S | | | | 4 Times / S | | | 3 Times / S | |

| Sign Model | A B C D E F G H I J K L M N O P Q R S T | | | | | | | | | | | | | | | | | | | |
|---------------|---|------------|------------|------|------|------|------|------|-----|-----|------|------|------|------|----|----|------|------|-----|-----|
| | 4A120-M5 | M5x 0.8 | M5x 0.8 | 27 | 27 | 40.5 | 14 | 33.5 | 9.5 | 27 | 3.3 | 1/8" | 30 | 25.5 | 0 | 13 | 18 | 33.5 | 14 | 81 |
| 4A120-06 | 1/8" | 1/8" | 28 | 26.5 | 40.5 | 14 | 33.5 | 9.5 | 27 | 3.3 | 1/8" | 30 | 25.5 | 3 | 13 | 18 | 33.5 | 16 | 81 | 3.3 |
| 4A220-06 | 1/8" | 1/8" | 36 | 28 | 46 | 20 | 36 | 10.5 | 35 | 4.3 | 1/8" | 38 | 27 | 0 | 17 | 22 | 37 | 18 | 92 | 3.2 |
| 4A220-08 | 1/8" | 1/8" | 36 | 28 | 46 | 20 | 36 | 10.5 | 35 | 4.3 | 1/8" | 38 | 27 | 3 | 17 | 22 | 35.5 | 21 | 92 | 3.2 |
| 4A320-08 | 1/4" | 1/4" | 45 | 33 | 55.5 | 24 | 43.5 | 13.5 | 40 | 4.3 | 1/8" | 50 | 30.5 | 0 | 20 | 27 | 44.7 | 22 | 111 | 4.3 |
| 4A320-10 | 1/4" | 3/8" | 45 | 33 | 55.5 | 24 | 43.5 | 13.5 | 40 | 4.3 | 1/8" | 50 | 30.5 | 4 | 20 | 27 | 44.7 | 24 | 111 | 4.3 |
| 4A420-10 | 3/8" | 3/8" | 63 | 39.5 | 71 | 28 | 57 | 17.5 | 50 | 5.5 | 1/8" | 72 | 35 | 4 | 27 | 34 | 53 | 36 | 142 | 4.3 |
| 4A420-15 | 1/2" | 1/2" | 63 | 39.5 | 71 | 28 | 57 | 17.5 | 50 | 5.5 | 1/8" | 72 | 35 | 4 | 27 | 34 | 53 | 36 | 142 | 4.3 |

4A Series Air Control Valve

Specifications

4A Series Air Control Valve (3 Position 5 Port Center Close)

| Model | 4A130C-M5 | 4A130C-06 | 4A230C-06 | 4A230C-08 | 4A330C-08 | 4A330C-10 | 4A430C-10 | 4A430C-15 |
|-----------------------------|--------------------------------------|---|---|---|---|---|---|---|
| Clean air (40µm Filtration) | | | | | | | | |
| Acting Type | Internal Guide | | | | | | | |
| Joint Size | Import=M5 Export=M5 Exhaust=M5 | Import=1/8 Export=1/8 Exhaust=1/8 | Import=1/8 Export=1/8 Exhaust=1/8 | Import=1/4 Export=1/4 Exhaust=1/8 | Import=1/4 Export=1/4 Exhaust=1/4 | Import=3/8 Export=3/8 Exhaust=1/4 | Import=3/8 Export=3/8 Exhaust=3/8 | Import=1/2 Export=1/2 Exhaust=1/2 |
| Sectional Area | 5.5mm ² (CV=0.28) | 9.0mm ² (CV=0.50) | 12mm ² (CV=0.67) | 12mm ² (CV=0.67) | 18mm ² (CV=1.0) | 18mm ² (CV=1.0) | 30mm ² (CV=1.68) | 30mm ² (CV=1.68) |
| Working Pressure | 0.15~0.8Mpa | | | | | | | |
| Max.Pressure | 1.2 Mpa | | | | | | | |
| Working Temperature | - 5~60°C | | | | | | | |
| Ways | 3 Position 5 Port | | | | | | | |
| Body Material | Aluminum | | | | | | | |
| Lubrication | No | | | | | | | |
| Max. Acting Frequency | 3 Times / S | | | | | | | |

Specifications

4A Series Air Control Valve (3 Position 5 Port Center Exhaust)

| Model | 4A130E-M5 | 4A130E-06 | 4A230E-06 | 4A230E-08 | 4A330E-08 | 4A330E-10 | 4A430E-10 | 4A430E-15 |
|-----------------------------|--------------------------------------|---|---|---|---|---|---|---|
| Clean air (40µm Filtration) | | | | | | | | |
| Acting Type | Internal Guide | | | | | | | |
| Joint Size | Import=M5 Export=M5 Exhaust=M5 | Import=1/8 Export=1/8 Exhaust=1/8 | Import=1/8 Export=1/8 Exhaust=1/8 | Import=1/4 Export=1/4 Exhaust=1/8 | Import=1/4 Export=1/4 Exhaust=1/4 | Import=3/8 Export=3/8 Exhaust=1/4 | Import=3/8 Export=3/8 Exhaust=3/8 | Import=1/2 Export=1/2 Exhaust=1/2 |
| Sectional Area | 5.5mm ² (CV=0.28) | 9.0mm ² (CV=0.50) | 12mm ² (CV=0.67) | 12mm ² (CV=0.67) | 18mm ² (CV=1.0) | 18mm ² (CV=1.0) | 30mm ² (CV=1.68) | 30mm ² (CV=1.68) |
| Working Pressure | 0.15~0.8Mpa | | | | | | | |
| Max.Pressure | 1.2 Mpa | | | | | | | |
| Working Temperature | - 5~60°C | | | | | | | |
| Ways | 3 Position 5 Port | | | | | | | |
| Body Material | Aluminum | | | | | | | |
| Lubrication | No | | | | | | | |
| Max. Acting Frequency | 3 Times / S | | | | | | | |

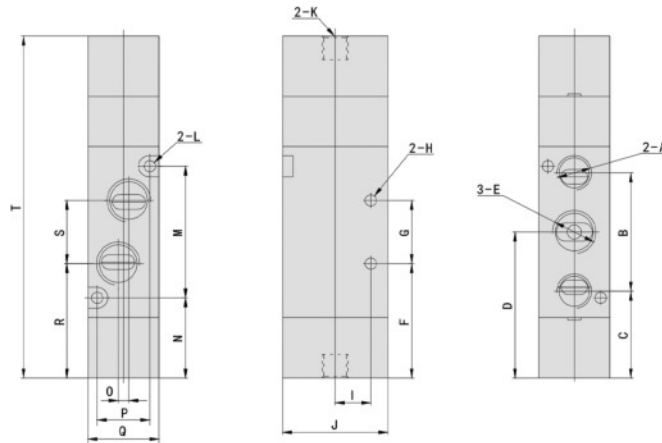
4A Series Air Control Valve

Specifications

4A Series Air Control Valve (3 Position 5 Port Center Pressure)

| Model | 4A130P-M5 | 4A130P-06 | 4A230P-06 | 4A230P-08 | 4A330P-08 | 4A330P-10 | 4A430P-10 | 4A430P-15 |
|-----------------------------|--------------------------------------|---|---|---|---|---|---|---|
| Clean air (40µm Filtration) | | | | | | | | |
| Acting Type | Internal Guide | | | | | | | |
| Joint Size | Import=M5 Export=M5 Exhaust=M5 | Import=1/8 Export=1/8 Exhaust=1/8 | Import=1/8 Export=1/8 Exhaust=1/8 | Import=1/4 Export=1/4 Exhaust=1/8 | Import=1/4 Export=1/4 Exhaust=1/4 | Import=3/8 Export=3/8 Exhaust=1/4 | Import=3/8 Export=3/8 Exhaust=3/8 | Import=1/2 Export=1/2 Exhaust=1/2 |
| Sectional Area | 5.5mm ² (CV=0.28) | 9.0mm ² (CV=0.50) | 12mm ² (CV=0.67) | 12mm ² (CV=0.67) | 18mm ² (CV=1.0) | 18mm ² (CV=1.0) | 30mm ² (CV=1.68) | 30mm ² (CV=1.68) |
| Working Pressure | 0.15~0.8Mpa | | | | | | | |
| Max. Pressure | 1.2 Mpa | | | | | | | |
| Working Temperature | - 5~60°C | | | | | | | |
| Ways | 3 Position 5 Port | | | | | | | |
| Body Material | Aluminum | | | | | | | |
| Lubrication | No | | | | | | | |
| Max. Acting Frequency | 3 Times / S | | | | | | | |

Main Dimensions



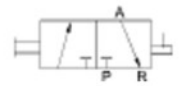
| Model \ Sign | Sign | | | | | | | | | | | | | | | | | | | |
|--------------|--------|----|------|------|--------|------|----|-----|------|----|------|-----|----|------|---|----|----|------|----|-----|
| | A | B | C | D | E | F | G | H | I | J | K | L | M | N | O | P | Q | R | S | T |
| 4A130-M5 | M5x0.8 | 27 | 26 | 40.5 | M5x0.8 | 33.5 | 14 | 3.3 | 9.5 | 27 | 1/8" | 3.3 | 30 | 26.5 | 0 | 13 | 18 | 33.5 | 14 | 96 |
| 4A130-06 | 1/8" | 28 | 26 | 40.5 | 1/8" | 33.5 | 14 | 3.3 | 9.5 | 27 | 1/8" | 3.3 | 30 | 26.5 | 1 | 13 | 18 | 33.5 | 16 | 96 |
| 4A230-06 | 1/8" | 36 | 28 | 46 | 1/8" | 36 | 20 | 4.3 | 10.5 | 35 | 1/8" | 3.2 | 38 | 27 | 0 | 17 | 22 | 37 | 18 | 111 |
| 4A230-08 | 1/8" | 36 | 28 | 46 | 1/8" | 36 | 20 | 4.3 | 10.5 | 35 | 1/8" | 3.2 | 38 | 27 | 3 | 17 | 22 | 35.5 | 21 | 111 |
| 4A330-08 | 1/4" | 45 | 33 | 55.5 | 1/4" | 43.5 | 24 | 4.3 | 13.5 | 40 | 1/8" | 4.3 | 50 | 30.5 | 0 | 20 | 27 | 44.7 | 22 | 130 |
| 4A330-10 | 1/4" | 45 | 33 | 55.5 | 3/8" | 43.5 | 24 | 4.3 | 13.5 | 40 | 1/8" | 4.3 | 50 | 30.5 | 4 | 20 | 27 | 44.7 | 24 | 130 |
| 4A430-15 | 1/2" | 63 | 39.5 | 71 | 1/2" | 57 | 28 | 5.5 | 17.5 | 50 | 1/8" | 4.3 | 72 | 35 | 4 | 27 | 34 | 53 | 36 | 163 |

L Series Hand Pull Valve

Ordering Code

L Series Hand Pull Valve (2 Position 3 Port)

| | | | |
|----------------------|--|-------------------|--|
| 3L | 2 | 10 - | 08 |
| | | | |
| 3L: 3Port, 2Position | Series Code | Ways | Joint Size |
| | 1:100 Series 2:200 Series 3:300 Series 4:400 Series | 10:Single control | 06:G1/8" 08:G1/4" 10:G3/8" 15:G1/2" |

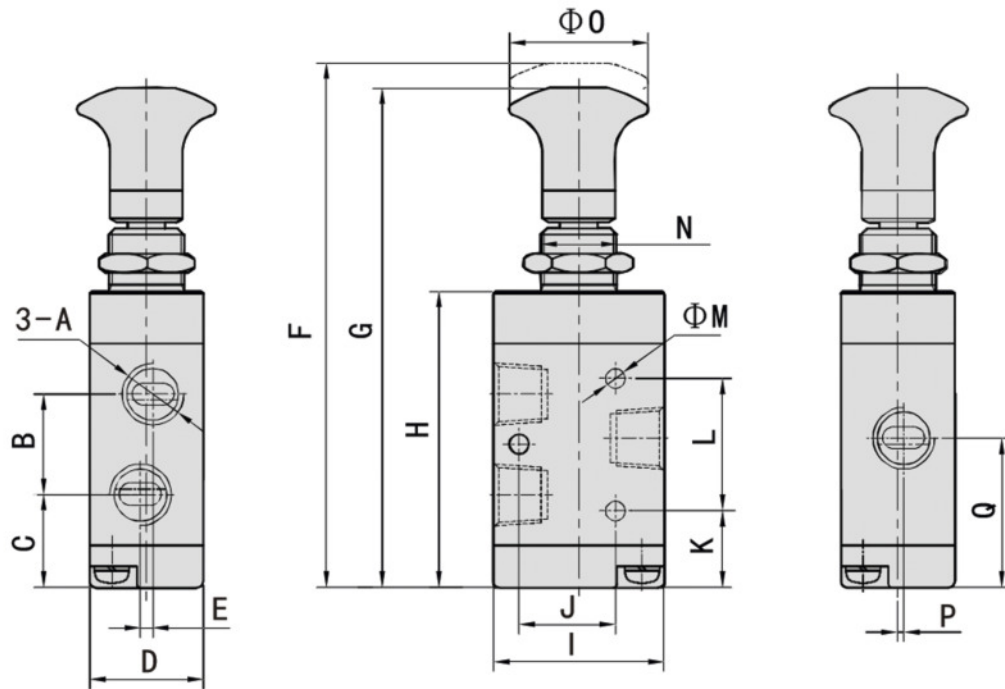


Specifications

| Model | 3L110-06 | 3L210-06 | 3L210-08 | 3L310-08 | 3L310-10 | 3L410-10 | 3L410-15 |
|---------------------|-----------------------------|----------|----------|----------|----------|----------|----------|
| | Clean air (40µm Filtration) | | | | | | |
| Acting Type | Direct Acting | | | | | | |
| Joint Size | G1/8" | | G1/4" | | G3/8" | | G1/2" |
| Ways | 2 Position 3 Port | | | | | | |
| Lubrication | No | | | | | | |
| Working Pressure | 0~0.8Mpa | | | | | | |
| Max.Pressure | 1.5 Mpa | | | | | | |
| Working Temperature | - 20~70°C | | | | | | |
| Body Material | Aluminum | | | | | | |
| Seal Material | NBR | | | | | | |

L Series Hand Pull Valve

Main Dimensions



| Model | 3L110-06 | 3L210-06 | 3L210-08 | 3L310-08 | 3L310-10 | 3L410-10 | 3L410-15 |
|-------|----------|----------|----------|----------|----------|----------|----------|
| A | G1/8 | G1/8 | G1/4 | G1/4 | G3/8 | G3/8 | G1/2 |
| B | 16 | 18.5 | 22.5 | 22 | 25 | 33.5 | 36 |
| C | 14.5 | 18.3 | 16.3 | 21.5 | 20 | 26 | 23.5 |
| D | 18 | 22 | 22 | 27 | 27 | 34 | 34 |
| E | 2 | 0 | 0 | 1 | 2 | 0 | 0 |
| F | 83.5 | 94 | 94 | 110 | 110 | 138 | 138 |
| G | 79.5 | 89 | 89 | 105 | 105 | 133 | 133 |
| H | 44.5 | 54.5 | 54.5 | 63.5 | 63.5 | 85 | 85 |
| I | 27 | 35 | 35 | 40 | 40 | 50 | 50 |
| G | 19 | 24 | 24 | 28 | 28 | 36 | 36 |
| K | 15.5 | 17.5 | 17.5 | 20.5 | 20.5 | 28.5 | 28.5 |
| L | 14 | 20 | 20 | 24 | 24 | 28 | 28 |
| M | 3.1 | 4.3 | 4.3 | 4.3 | 4.3 | 4.3 | 4.3 |
| N | M14X1 | M14X1 | M14X1 | M14X1 | M14X1 | M22X2.5 | M22X2.5 |
| O | 22.5 | 22.5 | 22.5 | 32 | 32 | 32 | 32 |
| P | 1 | 0.5 | 1.5 | 1 | 2 | 2 | 2 |
| Q | 22.5 | 27.5 | 27.5 | 32.5 | 32.5 | 42.5 | 42.5 |

H Series Hand Push Valve

Ordering Code

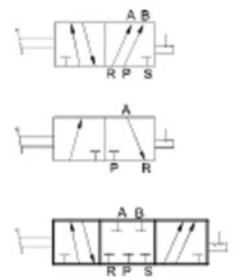
H Series Push Valve

Product features:

- * Manual operated;
- * Various working styles are available



| | | | |
|---|---|--|---|
| <p>4H</p> <p>Series Code</p> <p>1:100 Series 2:200 Series 3:300 Series 4:400 Series</p> <p>3H: 3Port, 2Position 4H: 5Port, 2(3) Position</p> | <p>2</p> <p>Series Code</p> <p>1:100 Series 2:200 Series 3:300 Series 4:400 Series</p> | <p>10 -</p> <p>Ways</p> <p>10:Single control 30C:Double Control Center Pressure</p> | <p>08</p> <p>Joint Size</p> <p>M5:M5 06:G1/8" 08:G1/4" 10:G3/8" 15:G1/2"</p> |
|---|---|--|---|

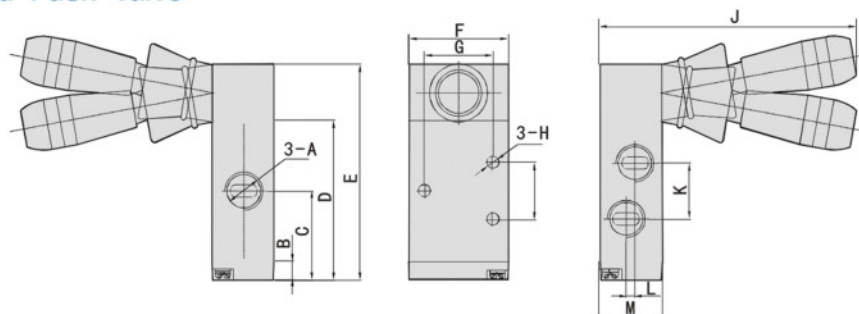


| Model | Joint Size | Sectional Area | Working Medium | Working Pressure | Max. Pressure | Working Temperature | Body Material | Lubrication |
|-----------|------------|-----------------------------|----------------|------------------|---------------|---------------------|---------------|-------------|
| 3H110-06 | G1/8" | 12mm ² (CV=0.67) | Clean air | 0~1.0 Mpa | 1.5 Mpa | 10~60°C | Aluminum | No |
| 3H210-06 | G1/8" | 14mm ² (CV=0.78) | | | | | | |
| 3H210-08 | G1/4" | 16mm ² (CV=0.89) | | | | | | |
| 3H310-08 | G1/4" | 25mm ² (CV=1.39) | | | | | | |
| 3H310-10 | G3/8" | 30mm ² (CV=1.67) | | | | | | |
| 3H410-10 | G3/8" | 40mm ² (CV=2.23) | | | | | | |
| 3H410-15 | G1/2" | 50mm ² (CV=2.79) | | | | | | |
| 4H110-06 | G1/8" | 12mm ² (CV=0.67) | | | | | | |
| 4H210-06 | G1/8" | 14mm ² (CV=0.78) | | | | | | |
| 4H210-08 | G1/4" | 16mm ² (CV=0.89) | | | | | | |
| 4H310-08 | G1/4" | 25mm ² (CV=1.39) | | | | | | |
| 4H310-10 | G3/8" | 30mm ² (CV=1.67) | | | | | | |
| 4H410-10 | G3/8" | 40mm ² (CV=2.23) | | | | | | |
| 4H410-15 | G1/2" | 50mm ² (CV=2.79) | | | | | | |
| 4H130C-06 | G1/8" | 9mm ² (CV=0.50) | | | | | | |
| 4H230C-08 | G1/4" | 12mm ² (CV=0.67) | | | | | | |
| 4H330C-10 | G3/8" | 18mm ² (CV=1.00) | | | | | | |
| 4H430C-15 | G1/2" | 30mm ² (CV=1.67) | | | | | | |

H Series Hand Push Valve

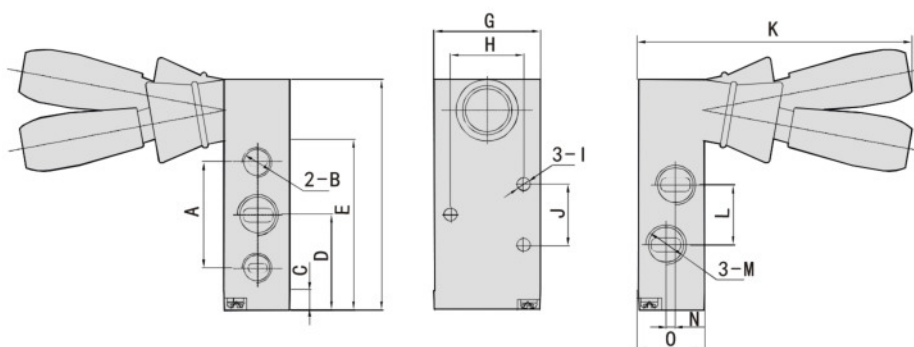
Main Dimensions

3Port, 2Position Hand Push Valve



| Model | A | B | C | D | E | F | G | H | I | J | K | L | M |
|----------|------|-----|------|------|-------|------|----|------|----|------|------|---|----|
| 3H110-06 | G1/8 | 6.5 | 22.5 | 38.5 | 58.5 | 33.5 | 27 | ∅3.3 | 14 | 87.7 | 16 | 2 | 18 |
| 3H210-08 | G1/4 | 6.5 | 27.5 | 40.5 | 68.5 | 33.5 | 35 | ∅4.3 | 20 | 91.5 | 22.5 | 0 | 22 |
| 3H310-10 | G3/8 | 7.5 | 32.5 | 57.5 | 77.5 | 36 | 40 | ∅4.3 | 24 | 99.3 | 25 | 2 | 27 |
| 3H410-15 | G1/2 | 7.5 | 42.5 | 77.5 | 105.5 | 36 | 50 | ∅4.3 | 28 | 107 | 36 | 0 | 34 |

5Port, 2Position Hand Push Valve

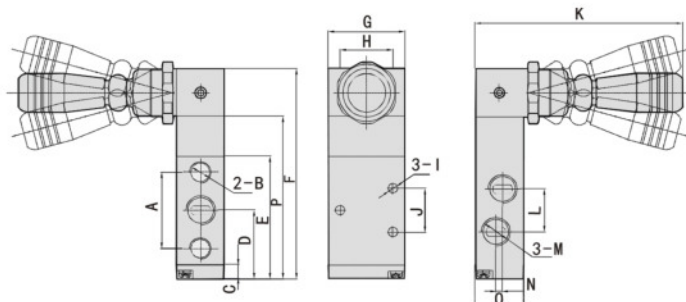


| Model | A | B | C | D | E | F | G | H | I | J | K | L | M | N | O |
|----------|----|------|-----|------|-------|-------|----|----|------|----|------|----|------|---|----|
| 4H110-06 | 28 | G1/8 | 6.5 | 28 | 49.5 | 69.5 | 27 | 19 | ∅3.3 | 14 | 87.5 | 16 | G1/8 | 3 | 18 |
| 4H210-06 | 35 | G1/4 | 6.5 | 31.5 | 76.5 | 76.5 | 35 | 24 | ∅4.3 | 20 | 90 | 20 | G1/4 | 3 | 22 |
| 4H310-08 | 45 | G3/8 | 7.5 | 40 | 92.5 | 92.5 | 40 | 28 | ∅4.3 | 24 | 96.5 | 24 | G3/8 | 4 | 27 |
| 4H410-08 | 63 | G1/2 | 7.5 | 54.5 | 129.5 | 129.5 | 50 | 36 | ∅5.5 | 28 | 195 | 36 | G1/2 | 4 | 34 |

H Series Hand Push Valve

Main Dimensions

5Port, 3Position Center Pressure Hand Push Valve



| Model | A | B | C | D | E | F | G | H | I | J | K | L | M | N | O | P |
|-----------|----|------|-----|------|-------|-------|----|----|------|------|------|----|------|---|----|------|
| 4H130C-06 | 28 | G1/8 | 6.5 | 28 | 49.5 | 84.5 | 27 | 19 | ∅3.5 | 14 | 94.5 | 16 | G1/8 | 3 | 18 | 64.5 |
| 4H230C-08 | 35 | G1/4 | 6.5 | 31.5 | 56.5 | 97 | 35 | 24 | ∅4.3 | 20 | 95.5 | 20 | G1/4 | 3 | 22 | 75 |
| 4H330C-10 | 45 | G3/8 | 7.5 | 40 | 72.5 | 113.5 | 40 | 28 | ∅4.3 | 24 | 100 | 24 | G3/8 | 4 | 27 | 91.5 |
| 4H430C-15 | 63 | G1/2 | 7.5 | 54.5 | 101.5 | 152 | 50 | 36 | ∅5.5 | 28.5 | 108 | 35 | G1/2 | 4 | 34 | 124 |

M Series Mechanical Valve

M | **5** | **2** | **2** - | **R**

M: Mechanical Valve

Series Code
5: 5Port
3: 3Port
2: 2Port

Ways
2: 2Position

Joint Size
1: G1/8"
2: G1/4"

Ways
Blank: Basic
R: Rolling wheel
PP: Flat button
PPL: Convex button
PB: Big head button
EB: Button with the lock
TB: Selection button

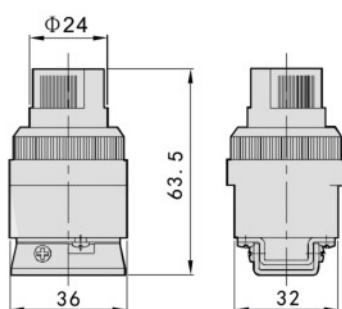
M Series Mechanical Valve

Specifications

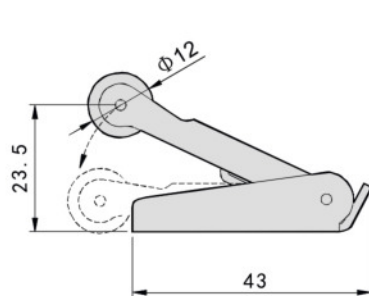
| Model | M221 | M322 | M522 |
|---------------------|------------------------------------|------|------|
| Working Medium | Clean air (40 μ m Filtration) | | |
| Control Mode | Mechanical Control/ Manual Control | | |
| Lubrication | No | | |
| Working Pressure | 0.15~0.8Mpa | | |
| Max.Pressure | 1.2 Mpa | | |
| Working Temperature | -5~80°C | | |
| Joint Size | G1/8", G1/4" | | |

Main Dimensions

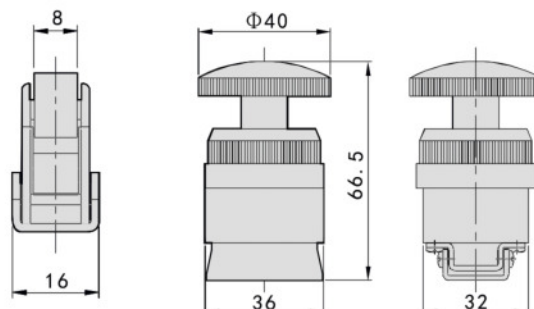
TB: Selection button



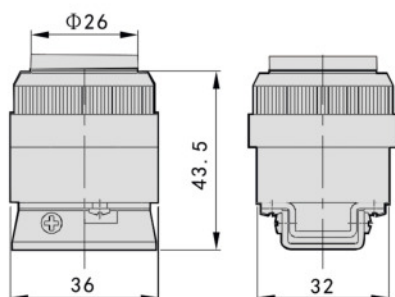
R: Rolling wheel



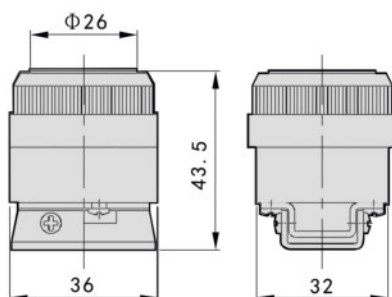
EB: Button with the lock



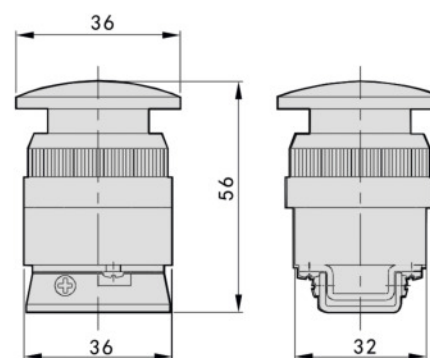
PPL: Convex button



PP: Flat button

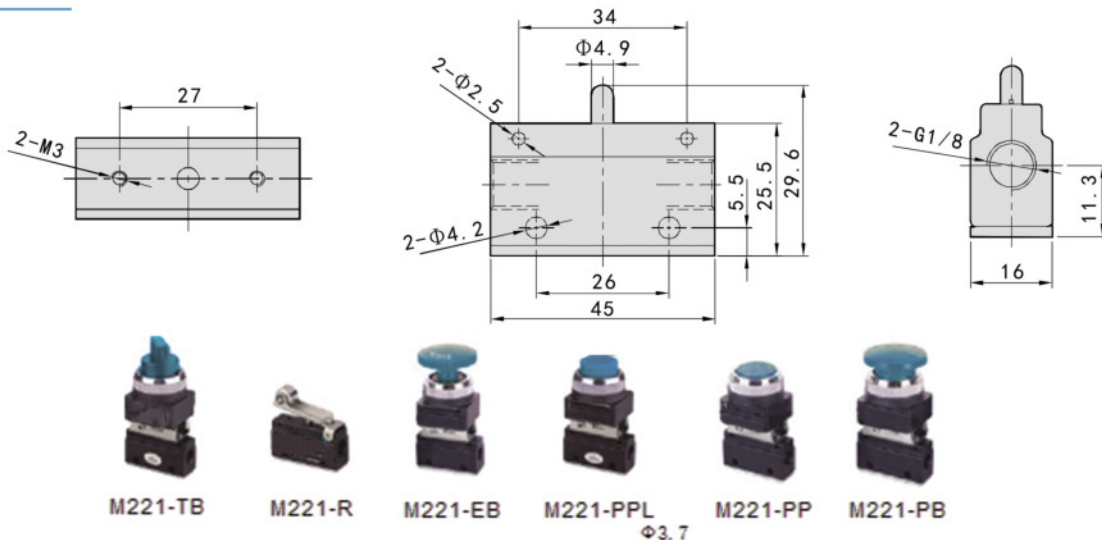


PB: Big head button

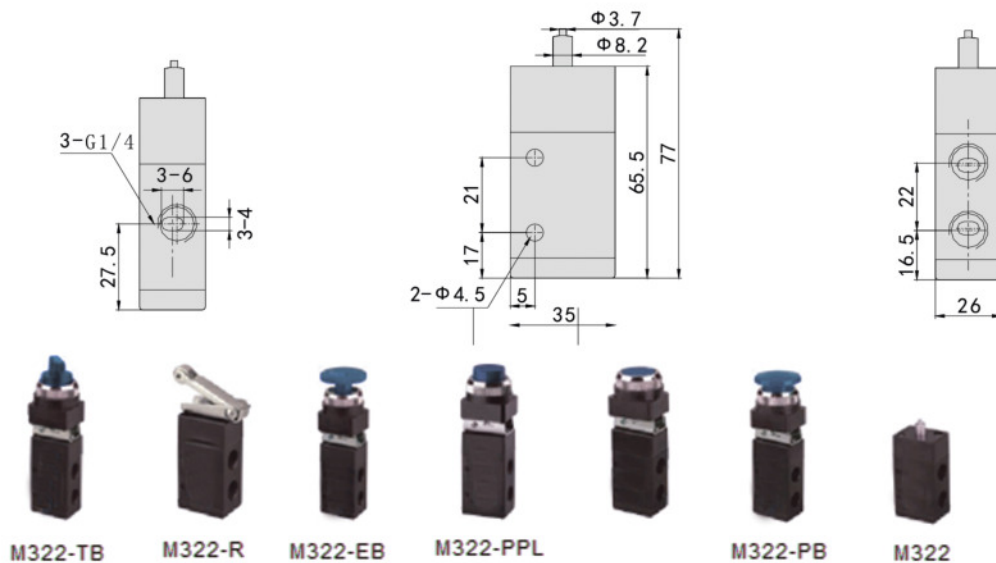


M Series Mechanical Valve

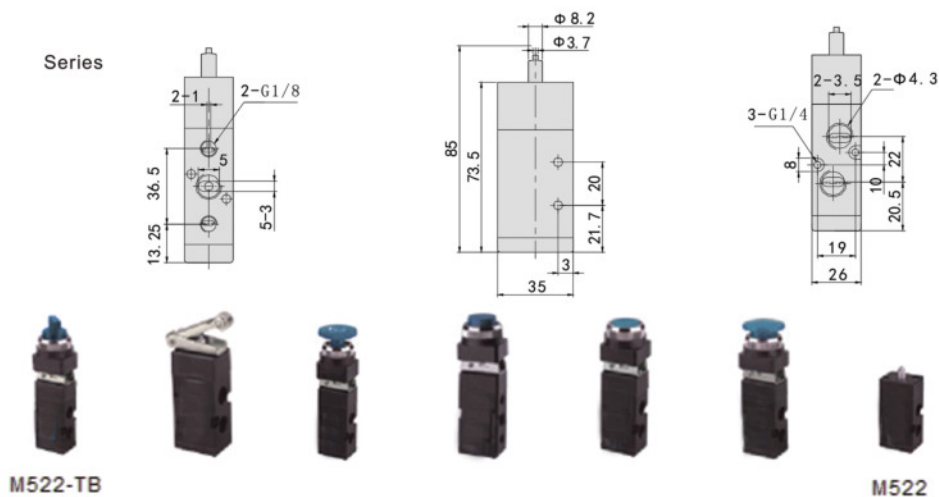
M221 Series



M322 Series



M522 Series



4HV Series Rotary Valve

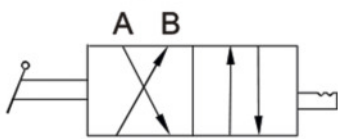
Ordering Code

4HV Series Rotary Valve

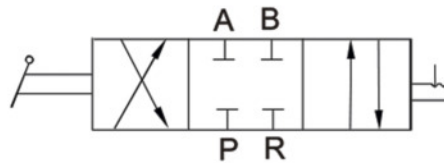
| | | | | | |
|-------------------|---|---|----------|--|---|
| 4HV | 2 | 10 | - | 06 | S |
| 4HV: Rotary valve | Series Code 2: 2 Series 3: 3 Series 4: 4 Series | Ways 10: 4Port, 2Position 30: 4Port, 3Position Center Close | | Joint Size 06: G1/8" 08: G1/4" 10: G3/8" 15: G1/2" 20: G3/4" | Installation Type Blank: Panel Installation S: Body Installation |



4Port, 2Position



4Port, 3Position Center Close

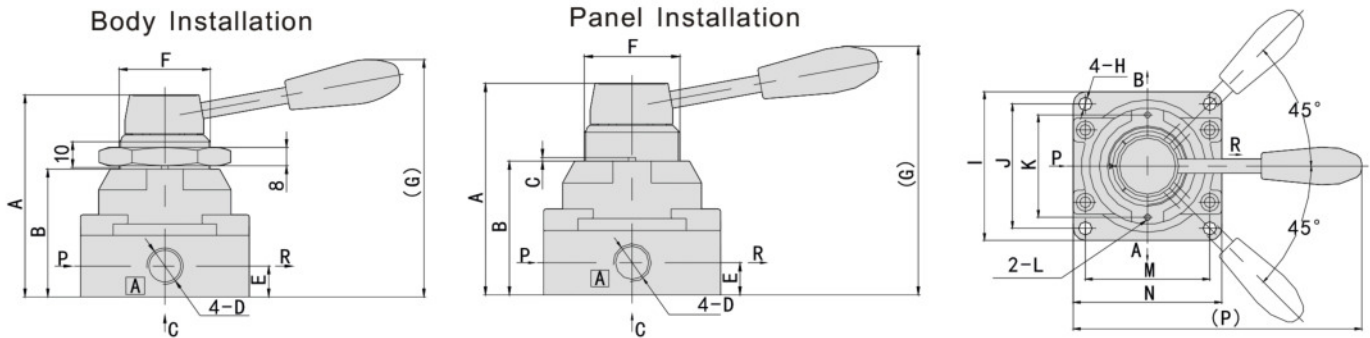


Specifications

| Model | 4HV2□□-06 | 4HV2□□-08 | 4HV3□□-08 | 4HV3□□-10 | 4HV4□□-15 | 4HV4□□-20 |
|---------------------|------------------------------------|--------------------------------|--------------------------------|--------------------------------|--------------------------------|--------------------------------|
| Working Medium | Clean air (40μm Filtration) | | | | | |
| Acting Type | External Control | | | | | |
| Joint Size | G1/8" | G1/4" | | G3/8" | G1/2" | G3/4" |
| Sectional Area | 14mm ² (CV=0.78) | 16mm ² (CV=0.89) | 30mm ² (CV=1.67) | 33mm ² (CV=1.83) | 88mm ² (CV=4.89) | 95mm ² (CV=5.27) |
| Ways | 4Port, 2Position, 4Port, 3Position | | | | | |
| Working Pressure | 0~1.0Mpa | | | | | |
| Max.Pressure | 1.5 Mpa | | | | | |
| Working Temperature | - 20~70°C | | | | | |
| Working Angle | 90° | | | | | |

4HV Series Rotary Valve

Main Dimensions



| Model | A | B | C | D | E | F | G | H | I | J | K | L | M | N | P |
|-----------|-------|----|-----|------|------|----------|------|-----|-----|----|----|---|----|----|-----|
| 4HV2□□-06 | 72.6 | 45 | 1.5 | G1/8 | 11.5 | M34 X1.5 | 92.5 | 5 | 62 | 49 | 40 | 3 | 49 | 62 | 120 |
| 4HV2□□-08 | 72.6 | 45 | 1.5 | G1/4 | 11.5 | M34 X1.5 | 92.5 | 5 | 62 | 49 | 40 | 3 | 49 | 62 | 120 |
| 4HV3□□-08 | 88.5 | 56 | 1.5 | G1/4 | 13.5 | M40 X1.5 | 104 | 6.6 | 74 | 62 | 51 | 3 | 62 | 74 | 140 |
| 4HV3□□-10 | 88.5 | 56 | 1.5 | G3/8 | 13.5 | M40 X1.5 | 104 | 6.6 | 74 | 62 | 51 | 3 | 62 | 74 | 140 |
| 4HV4□□-15 | 110.3 | 72 | 2 | G1/2 | 18 | M52 X1.5 | 126 | 6.6 | 102 | 89 | 64 | 3 | 81 | 94 | 160 |
| 4HV4□□-20 | 110.3 | 72 | 2 | G3/4 | 18 | M52 X1.5 | 126 | 6.6 | 102 | 89 | 64 | 3 | 81 | 94 | 160 |

F Series Foot Pedal Valve

Ordering Code

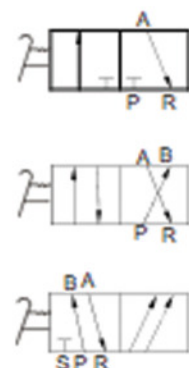
F Series Foot Pedal Valve

4F 210 | **2** | **L**

Joint Size
08:G1/4"

Blank: Standard
L: With Lock
C: With Cover
LC: With Lock & Cover

4F210M: 4Port, 2Position
4F210: 5Port, 2Position



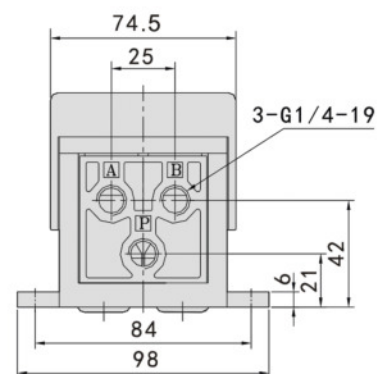
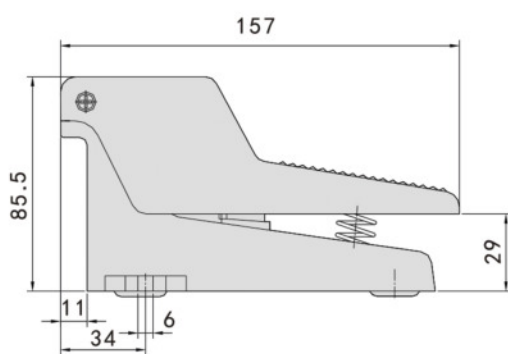
F Series Foot Valve

Specifications

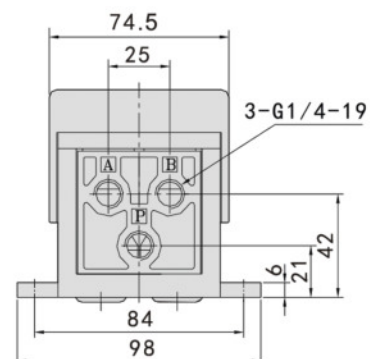
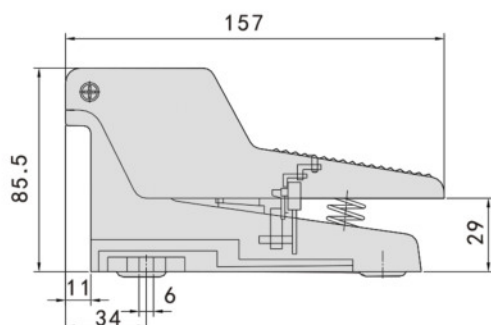
| Model | 3F210-08 | 4F210-08M | 4F210-08 | 4F210-08L | 4F210-08C | 4F210-08LC |
|---------------------|-----------------------------|------------------|------------------|-----------|-----------|------------|
| Working Medium | Clean air (40µm Filtration) | | | | | |
| Acting Type | External Control | | | | | |
| Ways | 3Port, 2Position | 4Port, 2Position | 5Port, 2Position | | | |
| Working Pressure | 0~0.7Mpa | | | 0~0.7Mpa | | |
| Max. Pressure | 1.2Mpa | | | | | |
| Working Temperature | -5~60°C | | | -5~60°C | | |
| Joint Size | 1/4" | | | | | |

F Series Foot Valve

4F210-08

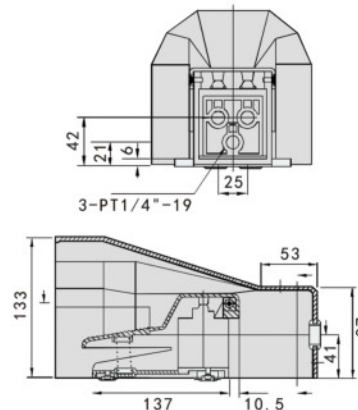
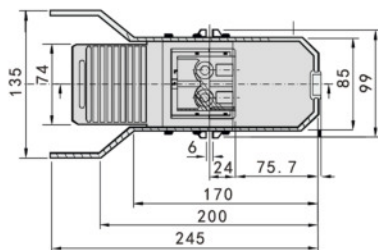


4F210-08L

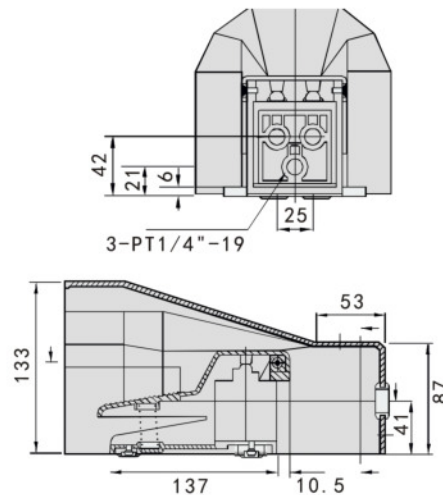
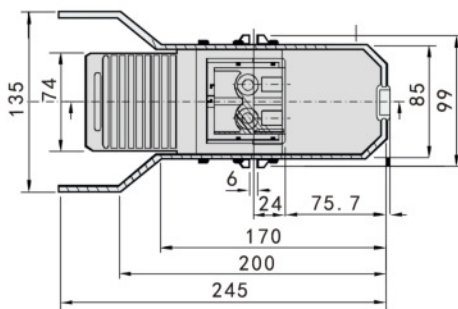


F Series Foot Valve

4F210-08C



4F210-08C



Flow Control Valve

RE

-

02

Type Code

RE: Flow Control Valve

Joint Size

- 01: G1/8"
- 02: G1/4"
- 03: G3/8"
- 04: G1/2"

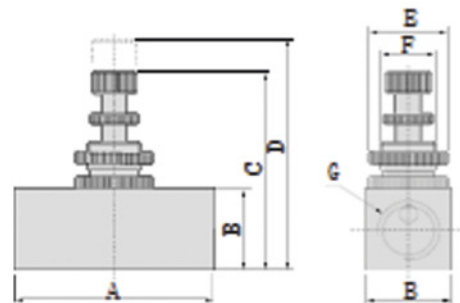


Flow Control Valve

Specifications

| Model | RE-01 | RE-02 | RE-03 | RE-04 |
|---------------------|-----------------------------|-------|-------|-------|
| Working Medium | Clean air (40µm Filtration) | | | |
| Acting Type | External Control | | | |
| Lubrication | No | | | |
| Working Pressure | 0~1.0Mpa | | | |
| Working Temperature | 0~60°C | | | |
| Joint Size | G1/8" | G1/4" | G3/8" | G1/2" |

| Model | A | B | C | D | E | F | G |
|-------|----|----|----|----|-----|--------|------|
| RE-01 | 45 | 19 | 43 | 50 | ∅14 | M14 X1 | G1/8 |
| RE-02 | 45 | 19 | 43 | 50 | ∅14 | M14 X1 | G1/4 |
| RE-03 | 55 | 25 | 55 | 62 | ∅18 | M18 X1 | G3/8 |
| RE-04 | 55 | 25 | 55 | 62 | ∅18 | M18 X1 | G1/2 |



One Way Valve

Ordering Code

VA Series One Way Valve

| | | |
|--|---|---|
| VA Type Code VA: One Way Valve | - | 08 Joint Size 06:G1/8" 25: G1" 08:G1/4" 32: G1- 1/ 4" 10: G3/8" 40:G1- 1/2" 15:G1/2" 50: G2" 20:G3/4" |
|--|---|---|



One Way Valve

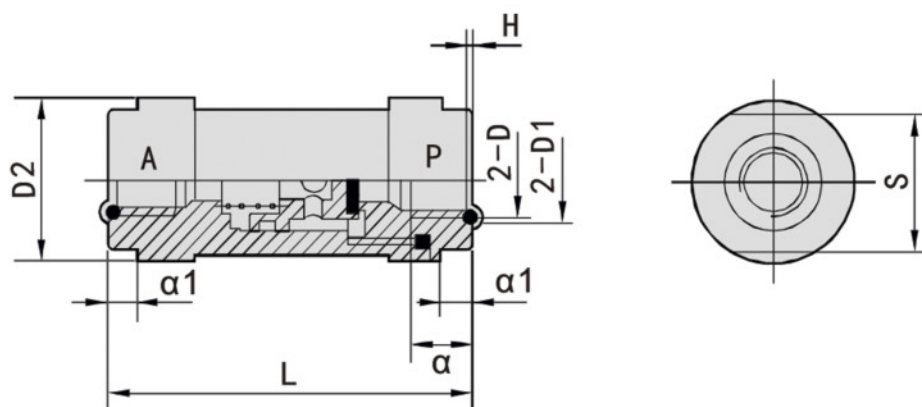
Specifications

| Model | VA-06 | VA-08 | VA-10 | VA-15 | VA-20 | VA-25 | VA-32 | VA-40 | VA-50 |
|---------------|-----------------------------|-------|-------|-------|-------|-------|---------|---------|-------|
| Medium | Clean air (40µm Filtration) | | | | | | | | |
| Pressure | 0.05~0.8Mpa | | | | | | | | |
| Max. Pressure | 1.2Mpa | | | | | | | | |
| Temperature | 0~55°C | | | | | | | | |
| Joint Size | G1/8" | G1/4" | G3/8" | G1/2" | G3/4" | G1" | G1-1/4" | G1-1/2" | G2" |

| Model | D | D1 | D2 |
|-------|--------------|-----|-------|
| VA-06 | M10X1 G1/8 | ∅13 | ∅ 25 |
| VA-08 | M12X1.5 G1/4 | ∅16 | ∅ 25 |
| VA-10 | M16X1.5 G3/8 | ∅20 | ∅ 38 |
| VA-15 | M20X1.5 G1/2 | ∅26 | ∅ 38 |
| VA-20 | M27X2 G3/4 | ∅32 | ∅ 50 |
| VA-25 | M48X2 G1 | ∅40 | ∅ 50 |
| VA-32 | M33X2 G1-1/4 | ∅48 | ∅ 88 |
| VA-40 | M42X2 G1-1/2 | ∅54 | ∅ 88 |
| VA-50 | M60X2 G2 | ∅70 | ∅ 115 |

| Model | S | L | α | α1 | H |
|-------|----|-----|----|----|-----|
| VA-06 | 24 | 64 | 10 | 6 | 1.4 |
| VA-08 | 24 | 64 | 12 | 6 | 1.4 |
| VA-10 | 36 | 86 | 14 | 8 | 1.8 |
| VA-15 | 36 | 86 | 14 | 8 | 1.8 |
| VA-20 | 46 | 112 | 21 | 10 | 1.8 |
| VA-25 | 46 | 112 | 23 | 10 | 2.7 |
| VA-32 | 75 | 161 | 25 | 18 | 2.7 |
| VA-40 | 75 | 161 | 26 | 18 | 2.7 |
| VA-50 | 90 | 200 | 26 | 26 | 4.5 |

Main Dimensions



One Way Valve

Ordering Code

KAM Series One Way Valve

KAM

Type Code

KAM: One Way Valve

-

08

Joint Size

M5:M5 10: G3/8"
06:G1/8" 15:G1/2"
08:G1/4"

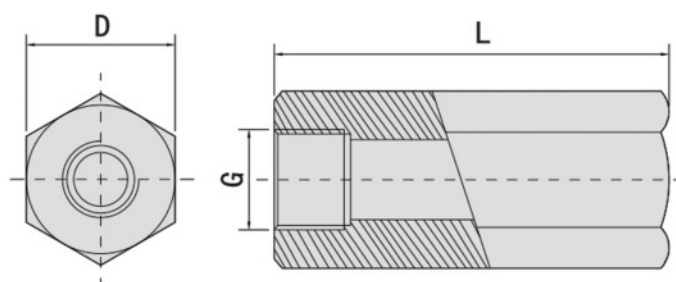


Specifications

| Model | KAM-M5 | KAM-06 | KAM-08 | KAM-10 | KAM-15 |
|--------------------------------|-----------------------------|--------|--------|--------|--------|
| Medium | Clean air (40µm Filtration) | | | | |
| Temperature | 0~60°C | | | | |
| Pressure | 0.05~1.2Mpa | | | | |
| Flow (mm ² /s) | 4 | 10 | 20 | 40 | 60 |
| Leakage (cm ³ /min) | ≤30 | ≤45 | ≤60 | ≤80 | ≤95 |
| Joint Size | M5 | G1/8" | G1/4" | G3/8" | G1/2" |

Main Dimensions

| Model | G | L | D |
|--------|-------|----|----|
| KAM-M5 | M5 | 21 | 10 |
| KAM-06 | G1/8" | 37 | 14 |
| KAM-08 | G1/4" | 48 | 17 |
| KAM-10 | G3/8" | 50 | 21 |
| KAM-15 | G1/2" | 60 | 24 |



Quick Exhausting Valve

Ordering Code

VKP Series Quick Exhausting Valve

VKP

Type Code

VKP: Quick Exhausting Valve

-

08

Joint Size

06:G1/8"
08:G1/4"
10: G3/8"
15:G1/2"

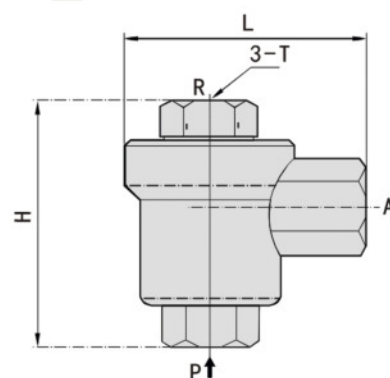


Specifications

| Model | VKP-06 | VKP-08 | VKP-10 | VKP-15 |
|--------------|-----------------------------|--------|--------|--------|
| Medium | Clean air (40µm Filtration) | | | |
| Acting Type | External Lead | | | |
| Pressure | 0.15~1.0Mpa | | | |
| Max.Pressure | 1.2Mpa | | | |
| Temperature | -5~60°C | | | |
| Joint Size | G1/8" | G1/4" | G3/8" | G1/2" |

Main Dimensions

| Model | T | H | L |
|--------|-------|------|------|
| VKP-06 | G1/8" | 39 | 32 |
| VKP-08 | G1/4" | 42.5 | 37.5 |
| VKP-10 | G3/8" | 50 | 45 |
| VKP-15 | G1/2" | 65.5 | 54 |



Quick Exhausting Valve

Ordering Code

QE Series Quick Exhausting Valve

Q E

Type Code

QE: Quick Exhausting Valve

02

Joint Size

02:G1/4"
04:G1/2"



Specifications

| Model | QE-02 | QE-04 |
|-------------|-----------------------------|-------|
| Medium | Clean air (40µm Filtration) | |
| Material | Aluminum | |
| Temperature | 0~60°C | |
| Pressure | 0.05~0.9Mpa | |

| Model | QE-02 | QE-04 |
|------------------|-------------------|-------------------|
| Max.Pressure | 1.0Mpa | |
| Sectional Area | 27mm ² | 71mm ² |
| Max.Flow (l/min) | 1823 | 3000 |
| Joint Size | G1/4" | G1/2" |

Main Dimensions

| Model | R | L | W | H | D |
|-------|------|----|----|----|------|
| QE-02 | 1/4" | 52 | 28 | 37 | G3/8 |
| QE-04 | 1/2" | 52 | 28 | 37 | G3/8 |

